

Osbornes Ltd

Louvre section details & installation details

Louvre models

WPL 100 Weather Resistant Louvres

WPL 100 Closeable Weather Resistant Louvres

WPL 100 Aluminium Vertical Louvres Model

WPL 80 Weather Resistant Louvres Model

WPL 50 Weather Resistant Louvres

EXH 100 Exhaust Louvres

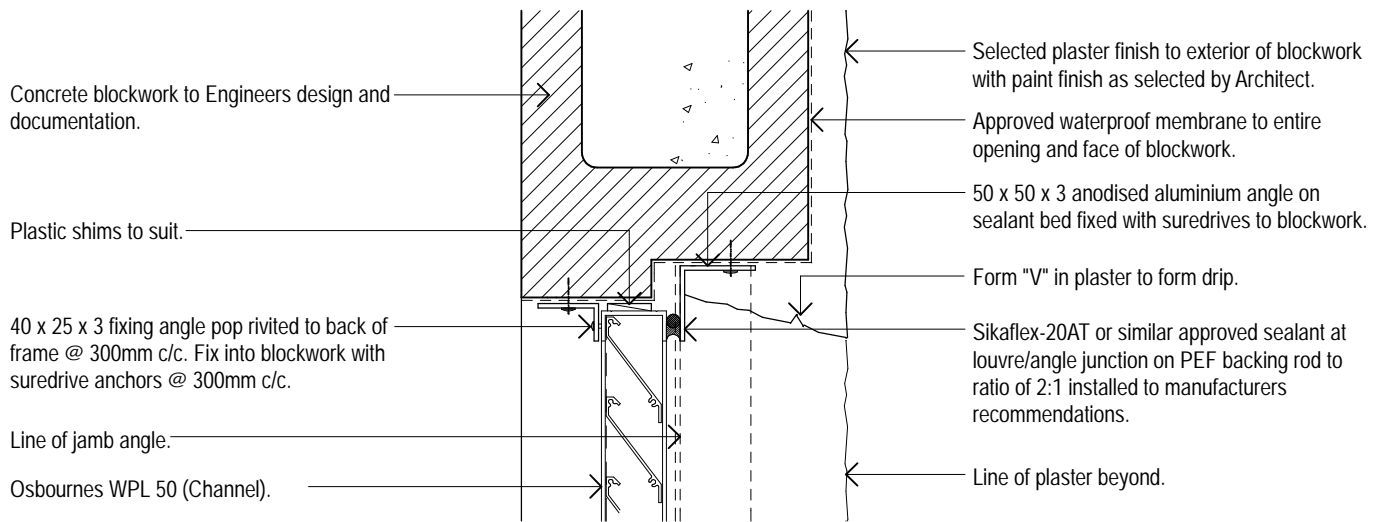
EG1 Egg Crate Grille

NV1 No Vision Door & Partition Grilles

OL1 / OL1R Wall Grille

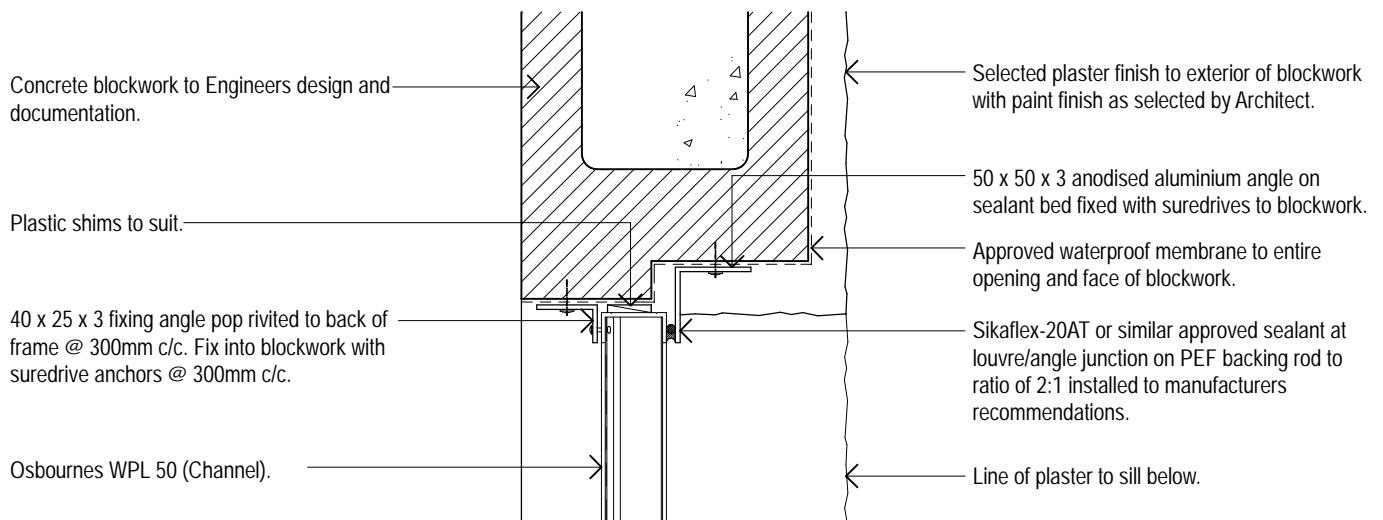
Sun Louvres

Revised August 2005



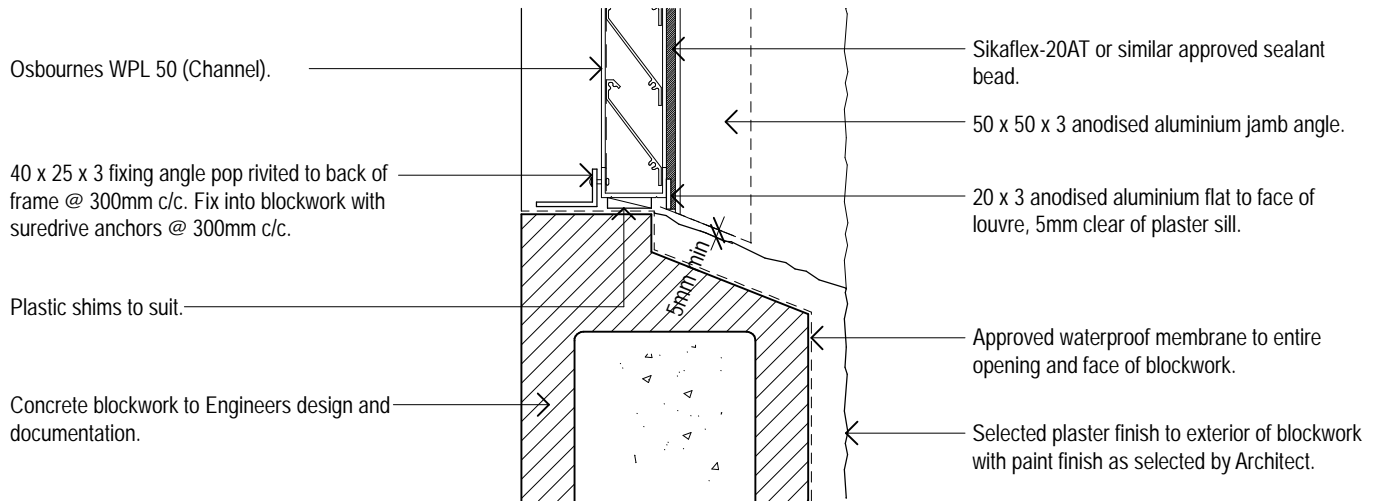
Model WPL 50 (Channel Frame) Typical Blockwall/Louvre Head Detail 01

Osbornes Ltd
Scale 1:5



Model WPL 50 (Channel Frame) Typical Blockwall/Louvre Jamb Detail 02

Osbornes Ltd
Scale 1:5



Model WPL 50 (Channel Frame)
Typical Blockwall/Louvre Sill Detail 03
Osbornes Ltd
Scale 1:5

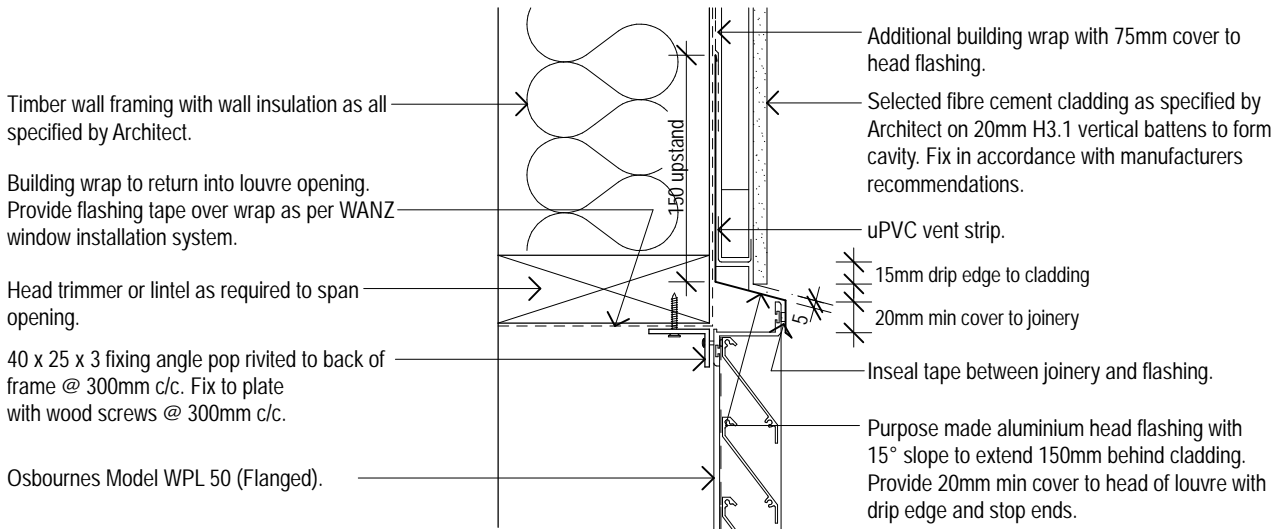
General Notes:

Flashing materials must be selected based on environmental exposure, refer to NZS 3604:1999.

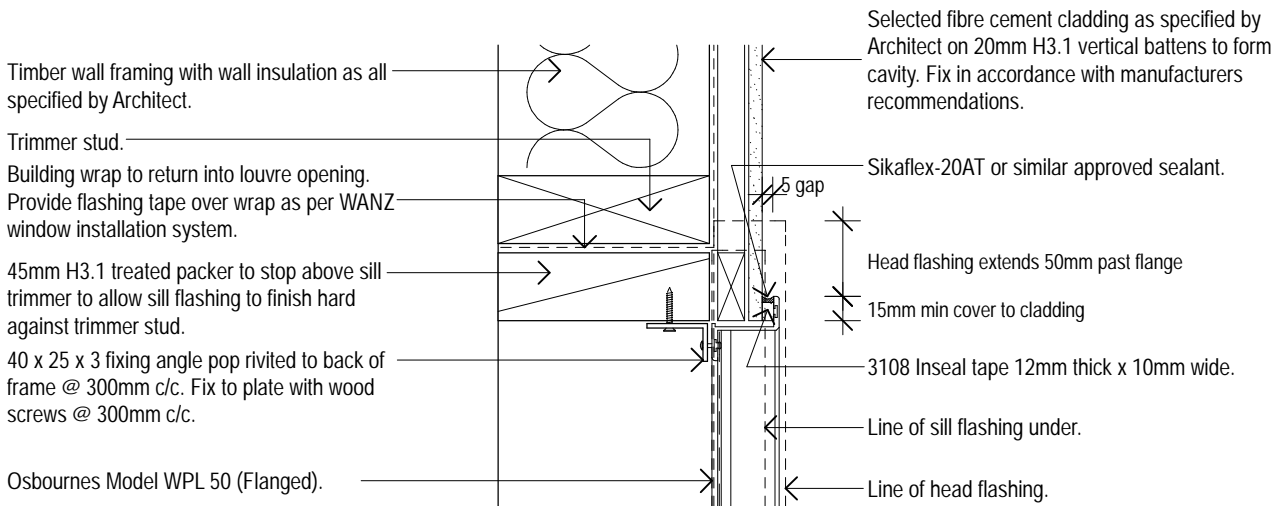
Refer to the manufacturer or supplier for technical information of all materials.

This is an untested alternative solution to NZBC E2/AS1.

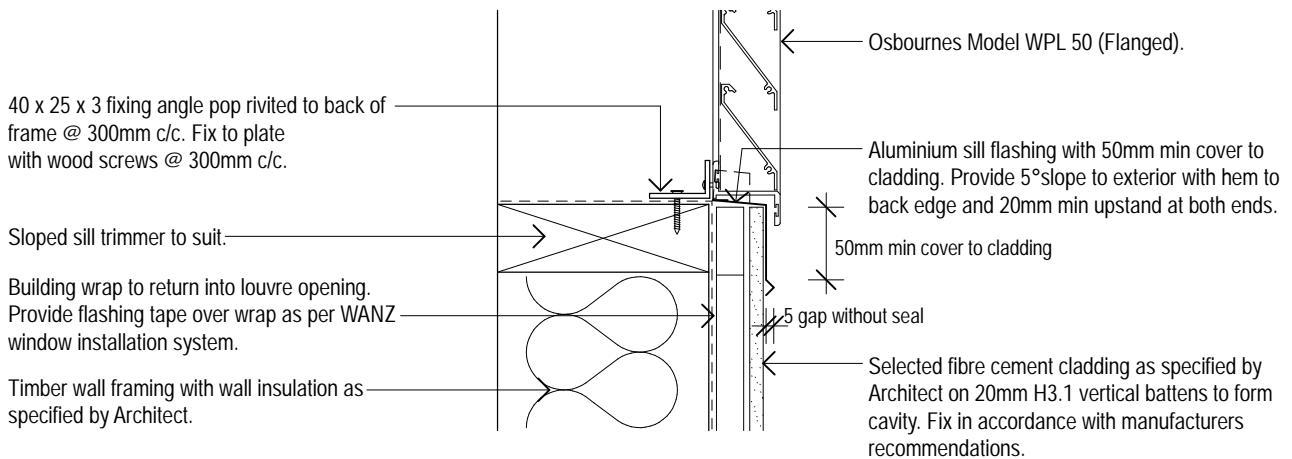
This information is intended to be informative and used as a guideline only. Due to the many variables affecting different projects Osbornes Ltd can not replace the judgment or advice of an Architect, Engineer or any other relevant technical expert and such experts must be consulted to determine the suitability or otherwise of the details or the necessity for further design/detailing.



Model WPL 50 (Flanged Frame)
Typical Fibre Cement/Louvre Head Detail 01
Osbornes Ltd
 Scale 1:5



Model WPL 50 (Flanged Frame)
Typical Fibre Cement/Louvre Jamb Detail 02
Osbornes Ltd
 Scale 1:5



Model WPL 50 (Flanged Frame) Typical Fibre Cement/Louvre Sill Detail 03 Osbournes Ltd Scale 1:5

General Notes:

Flashing materials must be selected based on environmental exposure, refer to NZS 3604:1999.

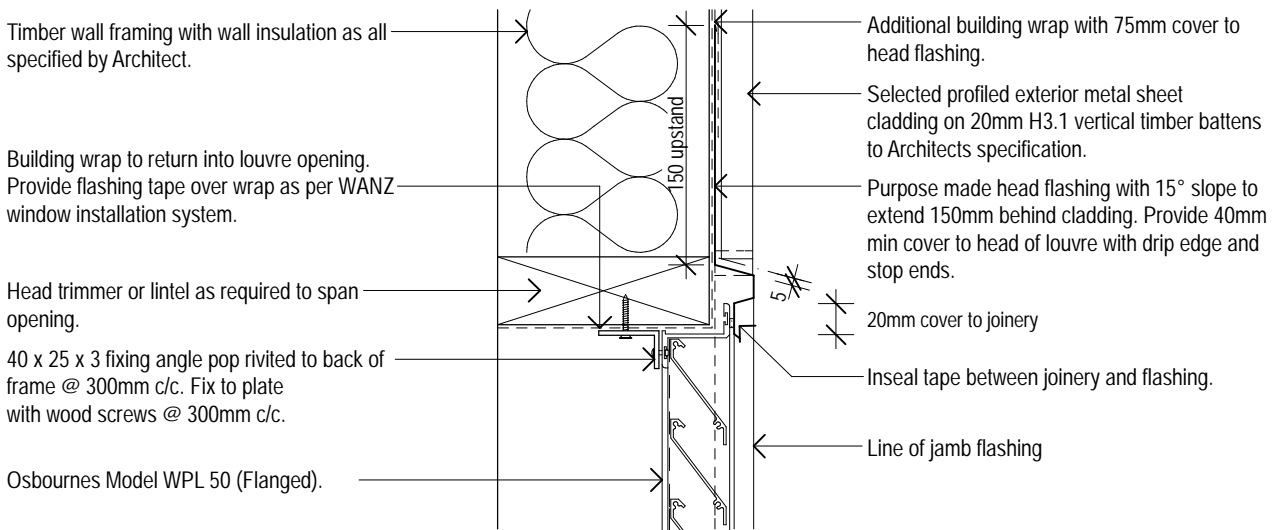
Building wrap must comply with acceptable solution E2/AS1 & NZS 3604:1999.

Flashing tape must have proven compatibility with the selected building wrap & other materials with which it comes into contact.

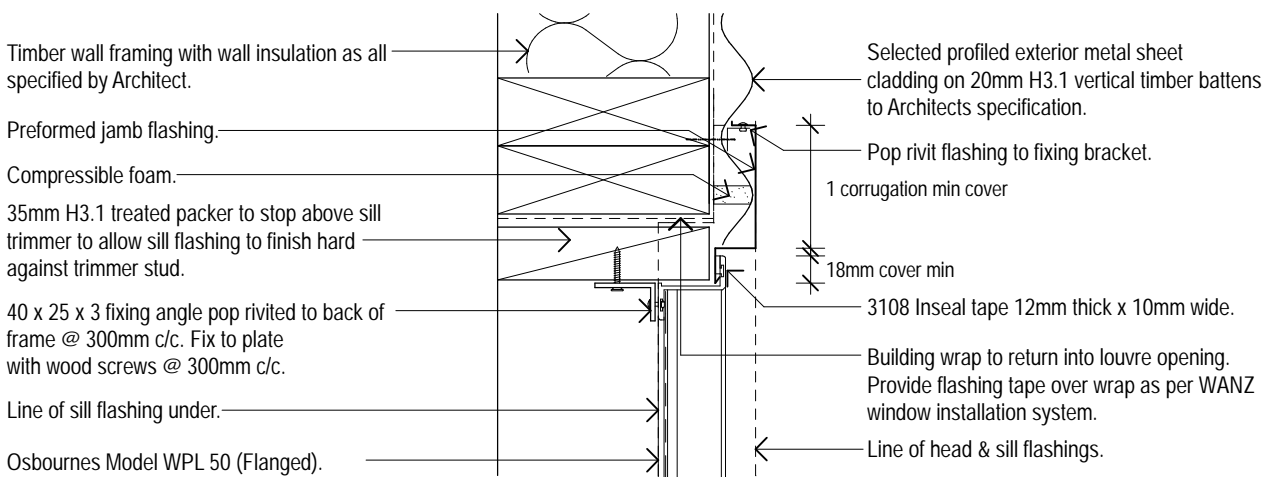
Refer to the manufacturer or supplier for technical information of all materials.

This is an untested alternative solution to NZBC E2/AS1.

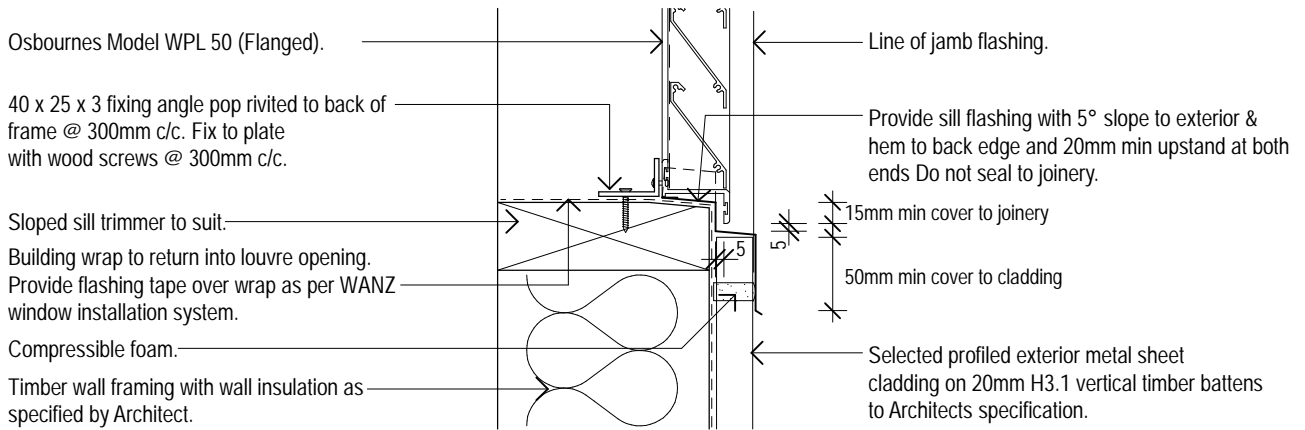
This information is intended to be informative and used as a guideline only. Due to the many variables affecting different projects Osbournes Ltd can not replace the judgment or advice of an Architect, Engineer or any other relevant technical expert and such experts must be consulted to determine the suitability or otherwise of the details or the necessity for further design/detailing.



Model WPL 50 (Flanged Frame)
Typical Vertical Corrugate/Louvre Head Detail 01
Osbornes Ltd
 Scale 1:5



Model WPL 50 (Flanged Frame)
Typical Vertical Corrugate/Louvre Jamb Detail 02
Osbornes Ltd
 Scale 1:5



Model WPL 50 (Flanged Frame)
Typical Vertical Corrugate/Louvre Sill Detail 03
Osbournes Ltd
 Scale 1:5

General Notes:

Flashing materials must be selected based on environmental exposure, refer to NZS 3604:1999.

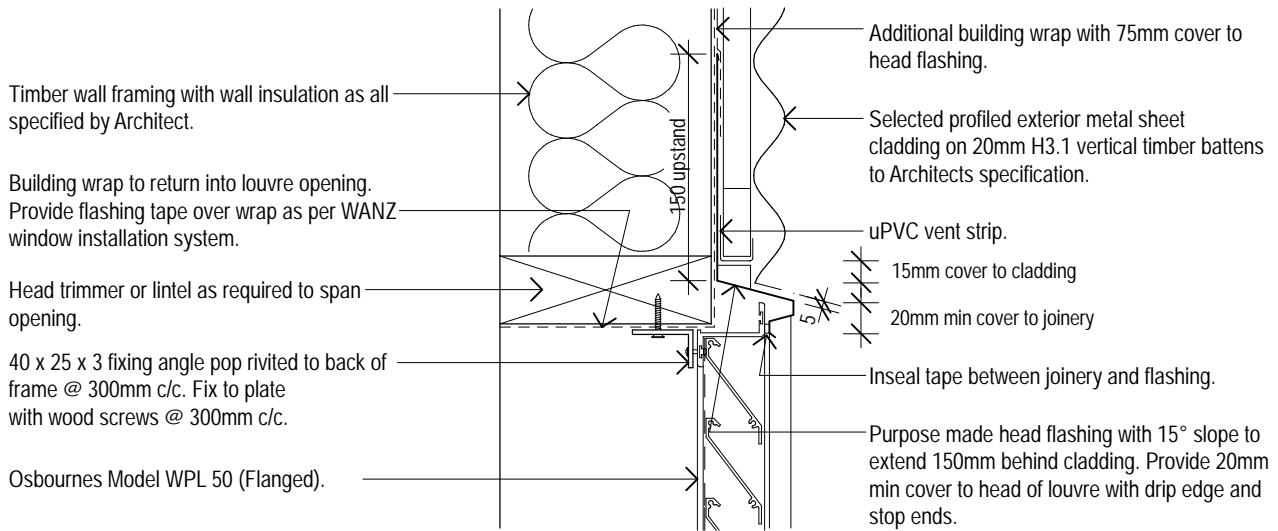
Building wrap must comply with acceptable solution E2/AS1 & NZS 3604:1999.

Flashing tape must have proven compatibility with the selected building wrap & other materials with which it comes into contact.

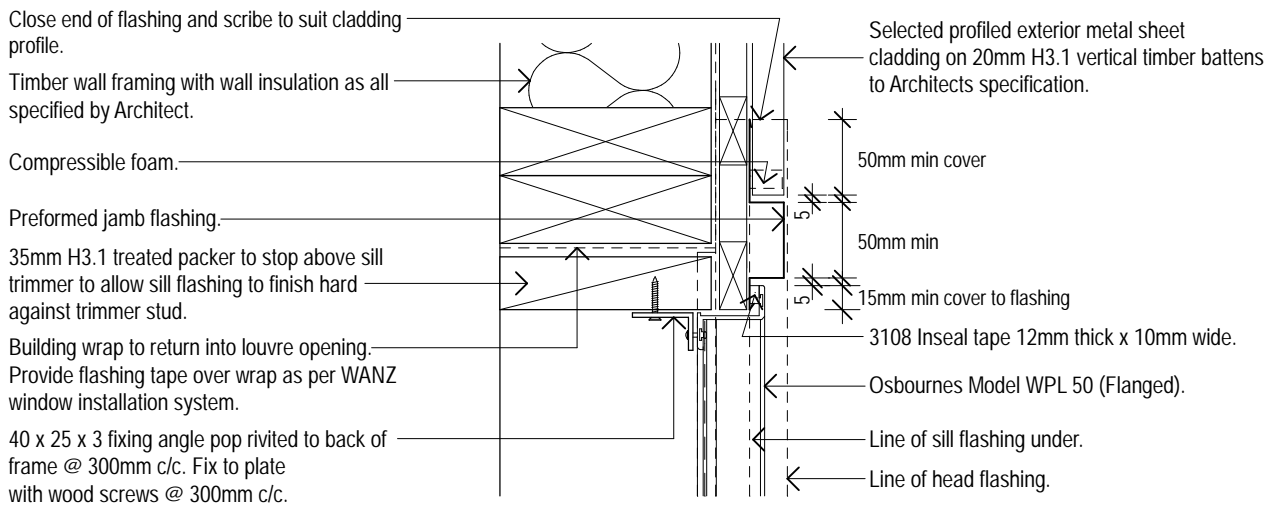
Refer to the manufacturer or supplier for technical information of all materials.

This is an untested alternative solution to NZBC E2/AS1.

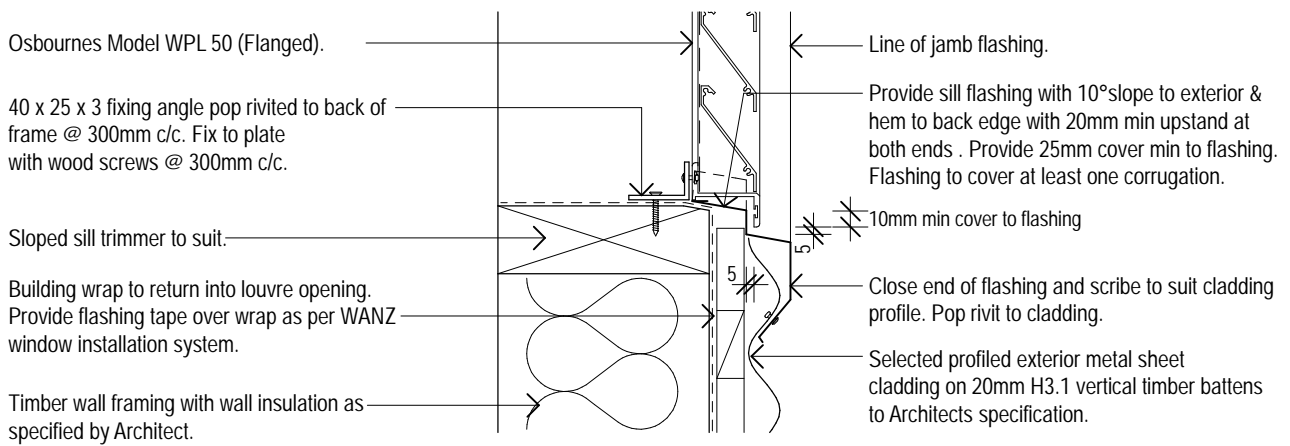
This information is intended to be informative and used as a guideline only. Due to the many variables affecting different projects Osbournes Ltd can not replace the judgment or advice of an Architect, Engineer or any other relevant technical expert and such experts must be consulted to determine the suitability or otherwise of the details or the necessity for further design/detailing.



Model WPL 50 (Flanged Frame)
Typical Horizontal Corrugate/Louvre Head Detail 01
Osbornes Ltd
 Scale 1:5



Model WPL 50 (Flanged Frame)
Typical Horizontal Corrugate/Louvre Jamb Detail 02
Osbornes Ltd
 Scale 1:5



Model WPL 50 (Flanged Frame) Typical Horizontal Corrugate/Louvre Sill Detail 03 Osbournes Ltd Scale 1:5

General Notes:

Flashing materials must be selected based on environmental exposure, refer to NZS 3604:1999.

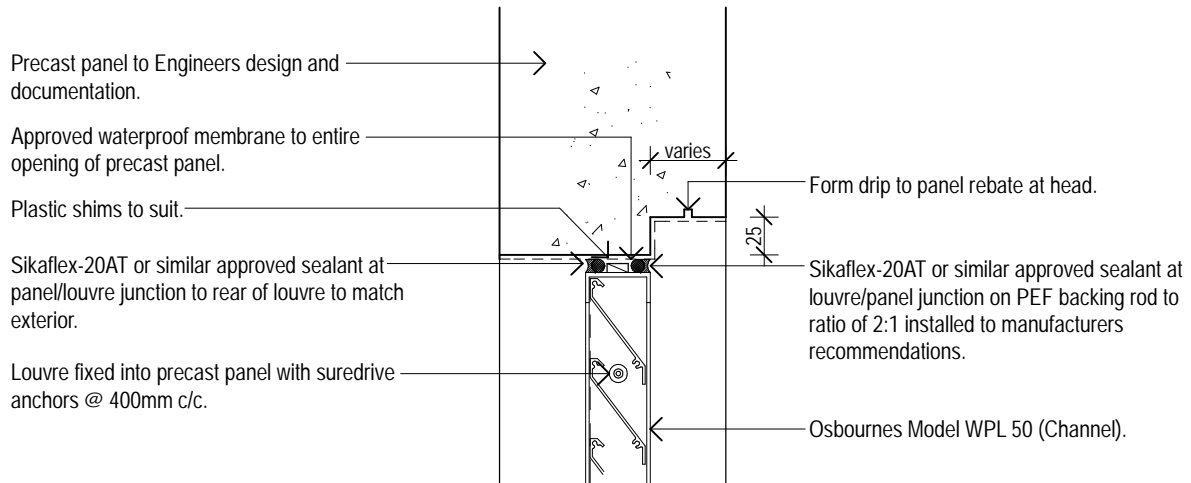
Building wrap must comply with acceptable solution NZBC E2/AS1 & NZS 3604:1999.

Flashing tape must have proven compatibility with the selected building wrap & other materials with which it comes into contact.

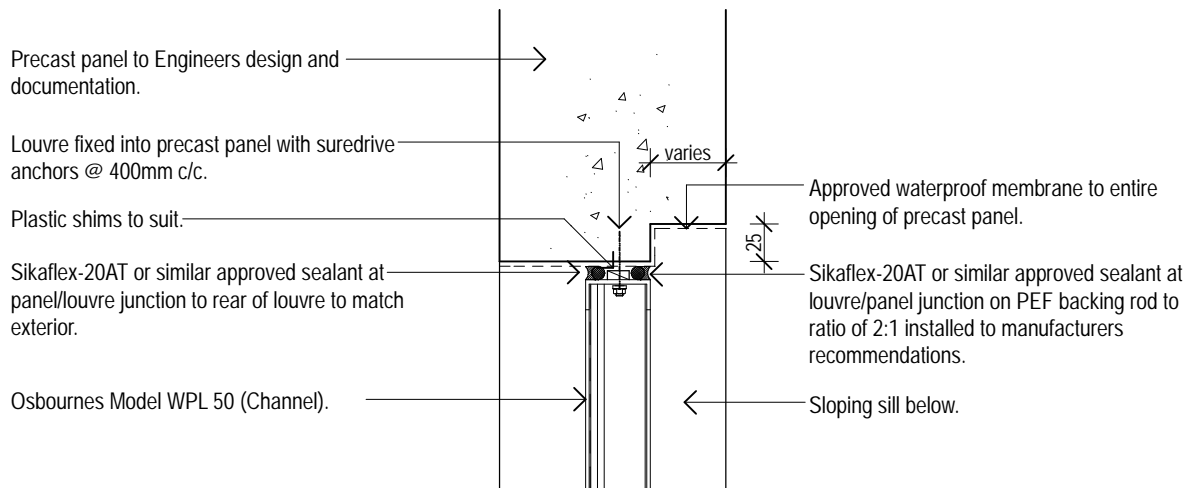
Refer to the manufacturer or supplier for technical information of all materials.

This is an untested alternative solution to NZBC E2/AS1.

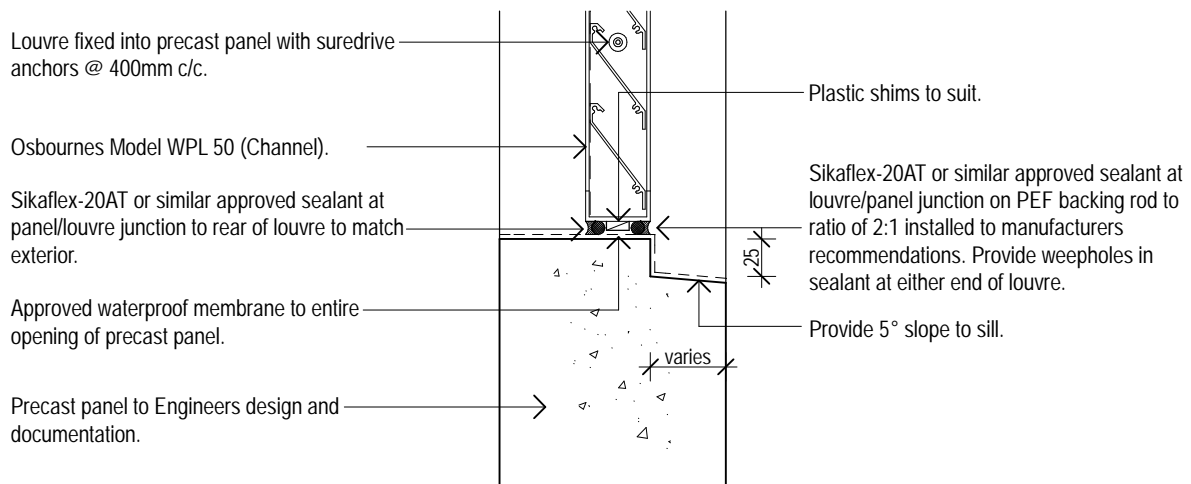
This information is intended to be informative and used as a guideline only. Due to the many variables affecting different projects Osbournes Ltd can not replace the judgment or advice of an Architect, Engineer or any other relevant technical expert and such experts must be consulted to determine the suitability or otherwise of the details or the necessity for further design/detailing.



Model WPL 50 (Channel Frame)
Typical Precast/Louvre Head Detail 01
Osbournes Ltd
 Scale 1:5



Model WPL 50 (Channel Frame)
Typical Precast/Louvre Jamb Detail 02
Osbournes Ltd
 Scale 1:5



Model WPL 50 (Channel Frame) Typical Precast/Louvre Sill Detail 03 Osbourne's Ltd Scale 1:5

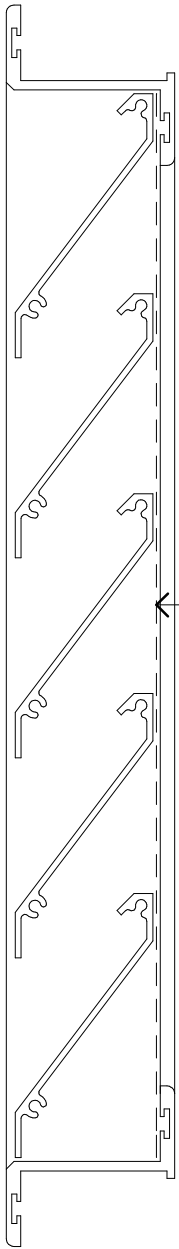
General Notes:

Flashing materials must be selected based on environmental exposure, refer to NZS 3604:1999.

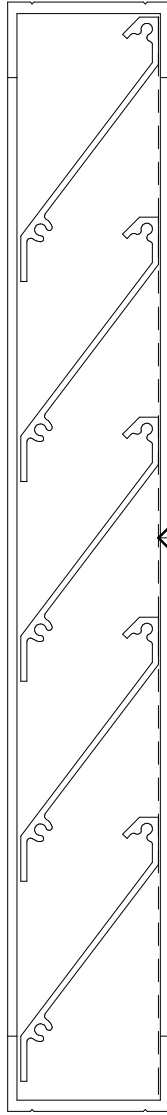
Refer to the manufacturer or supplier for technical information of all materials.

This is an untested alternative solution to NZBC E2/AS1.

This information is intended to be informative and used as a guideline only. Due to the many variables affecting different projects Osbourne's Ltd can not replace the judgment or advice of an Architect, Engineer or any other relevant technical expert and such experts must be consulted to determine the suitability or otherwise of the details or the necessity for further design/detailing.



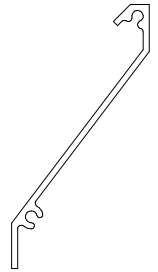
Birdmesh shown dashed optional.



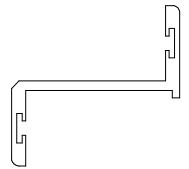
Birdmesh shown dashed optional.



610400



NZ7323A



40-1673

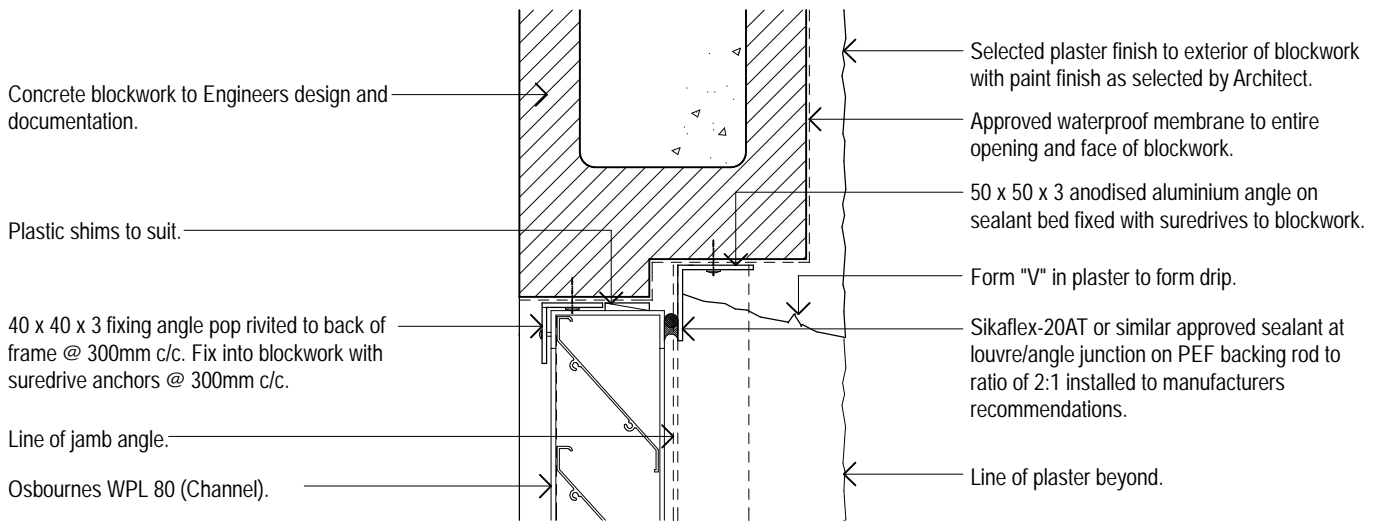
Flanged Frame

Channel Frame

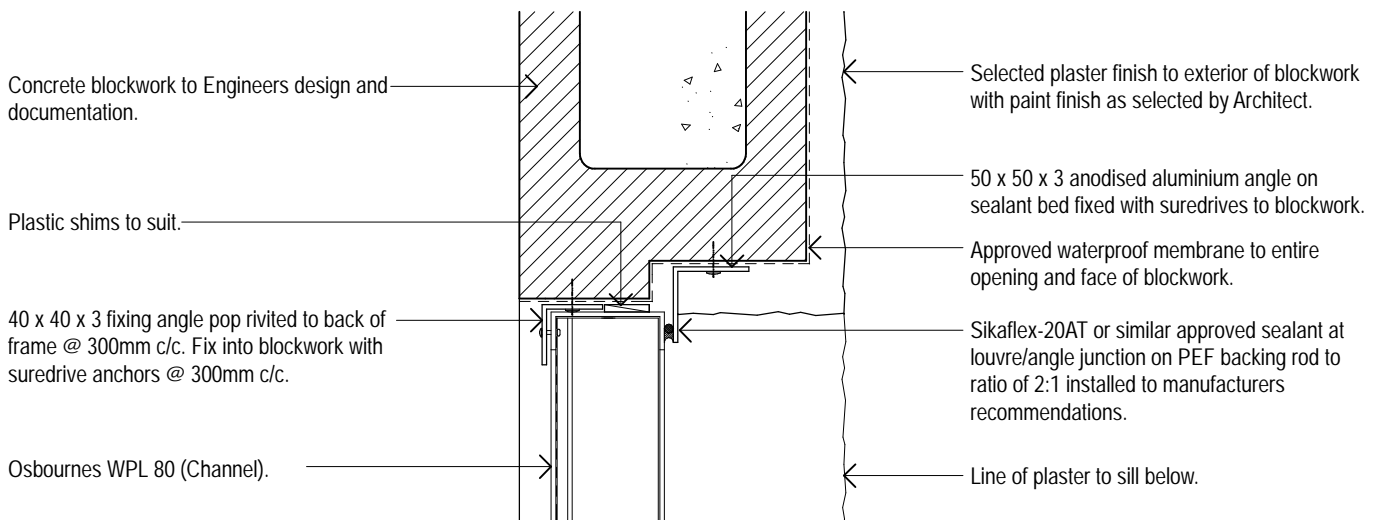
Osbornes Model WPL 50

Lightweight weather-resistant louvre

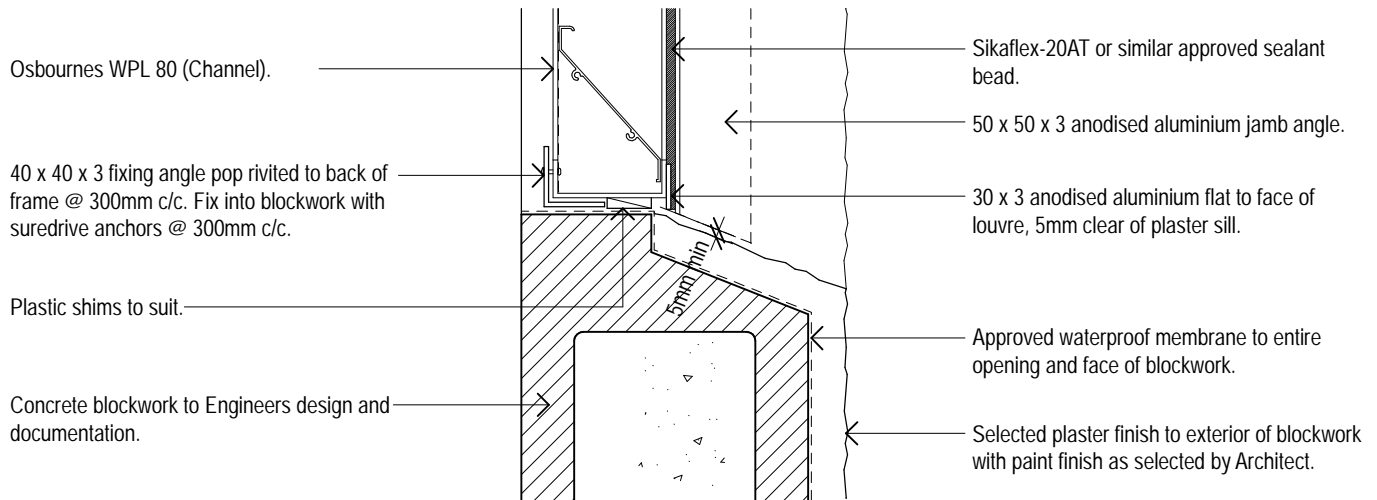
Scale 1:2



Model WPL 80 (Channel Frame)
Typical Blockwall/Louvre Head Detail 01
 Osbornes Ltd
 Scale 1:5



Model WPL 80 (Channel Frame)
Typical Blockwall/Louvre Jamb Detail 02
 Osbornes Ltd
 Scale 1:5



Model WPL 80 (Channel Frame)
Typical Blockwall/Louvre Sill Detail 03
Osbornes Ltd
 Scale 1:5

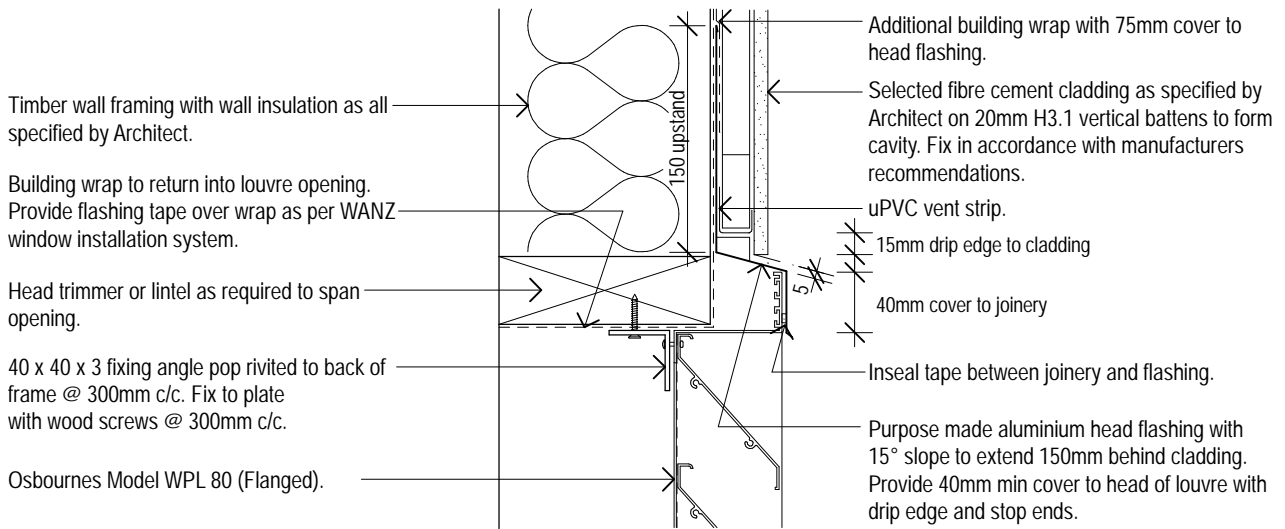
General Notes:

Flashing materials must be selected based on environmental exposure, refer to NZS 3604:1999.

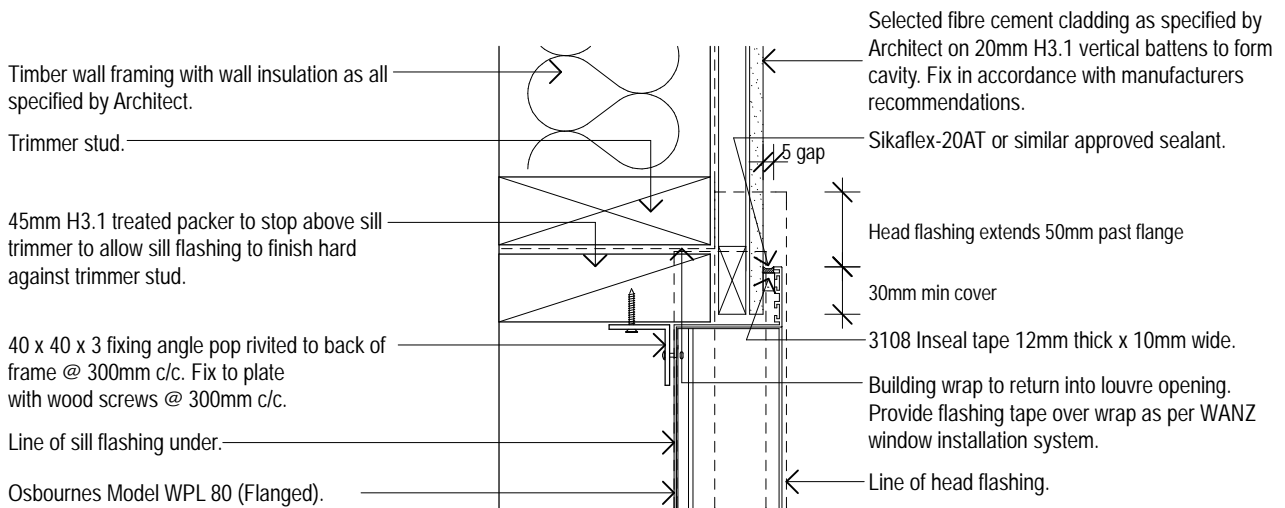
Refer to the manufacturer or supplier for technical information of all materials.

This is an untested alternative solution to NZBC E2/AS1.

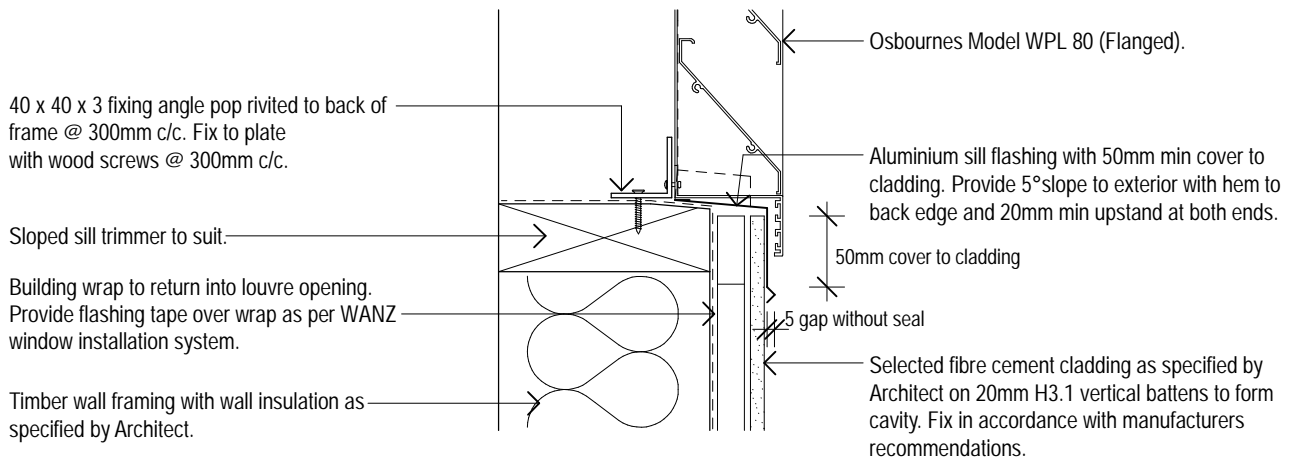
This information is intended to be informative and used as a guideline only. Due to the many variables affecting different projects Osbornes Ltd can not replace the judgment or advice of an Architect, Engineer or any other relevant technical expert and such experts must be consulted to determine the suitability or otherwise of the details or the necessity for further design/detailing.



Model WPL 80 (Flanged Frame)
Typical Fibre Cement/Louvre Head Detail 01
 Osbornes Ltd
 Scale 1:5



Model WPL 80 (Flanged Frame)
Typical Fibre Cement/Louvre Jamb Detail 02
 Osbornes Ltd
 Scale 1:5



Model WPL 80 (Flanged Frame)

Typical Fibre Cement/Louvre Sill Detail 03

Osbournes Ltd
Scale 1:5

General Notes:

Flashing materials must be selected based on environmental exposure, refer to NZS 3604:1999.

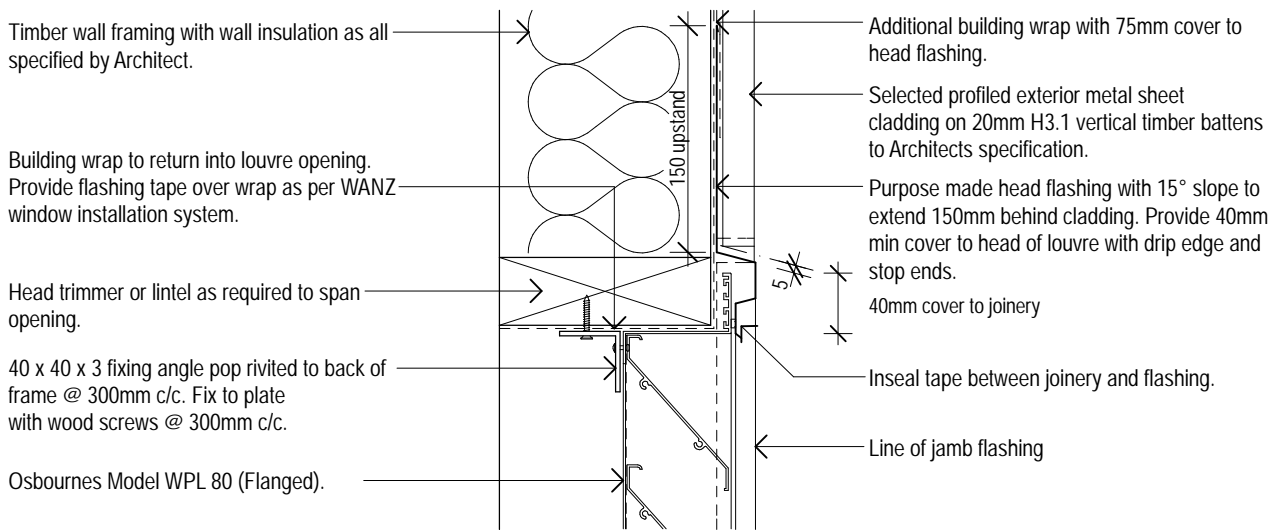
Building wrap must comply with acceptable solution E2/AS1 & NZS 3604:1999.

Flashing tape must have proven compatibility with the selected building wrap & other materials with which it comes into contact.

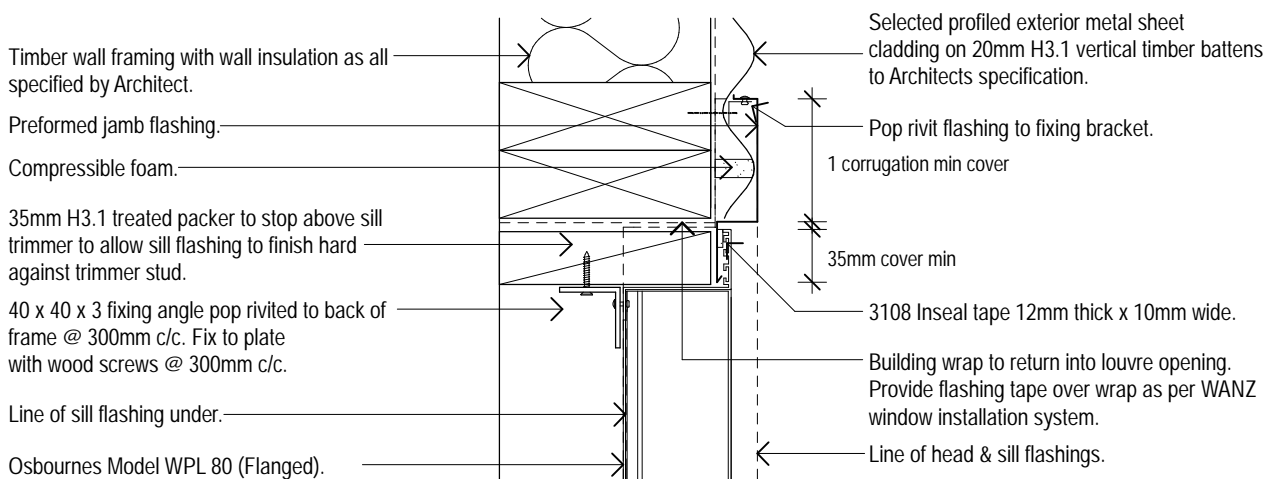
Refer to the manufacturer or supplier for technical information of all materials.

This is an untested alternative solution to NZBC E2/AS1.

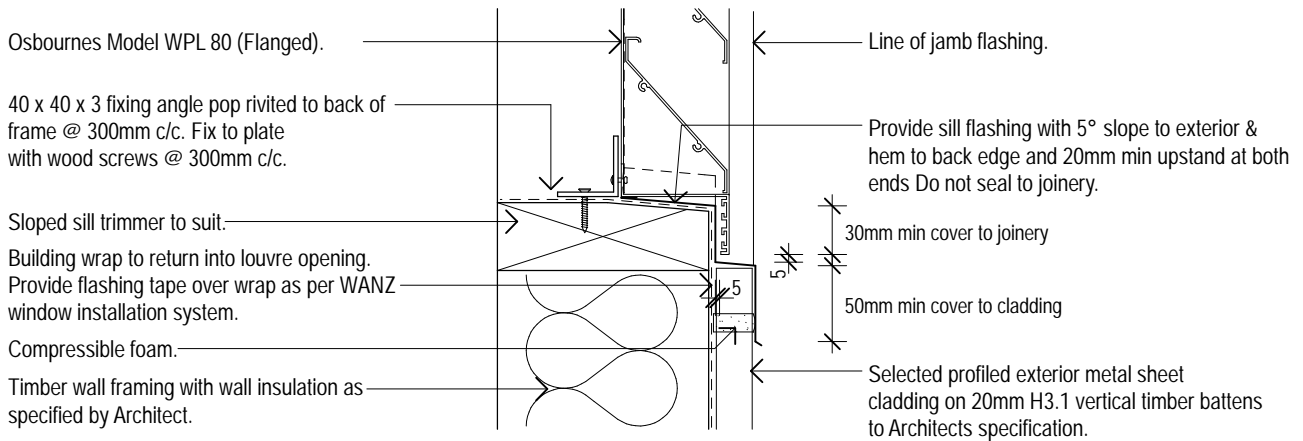
This information is intended to be informative and used as a guideline only. Due to the many variables affecting different projects Osbournes Ltd can not replace the judgment or advice of an Architect, Engineer or any other relevant technical expert and such experts must be consulted to determine the suitability or otherwise of the details or the necessity for further design/detailing.



Model WPL 80 (Flanged Frame)
Typical Vertical Corrugate/Louvre Head Detail 01
 Osbornes Ltd
 Scale 1:5



Model WPL 80 (Flanged Frame)
Typical Vertical Corrugate/Louvre Jamb Detail 02
 Osbornes Ltd
 Scale 1:5



Model WPL 80 (Flanged Frame) Typical Vertical Corrugate/Louvre Sill Detail 03 Osbournes Ltd Scale 1:5

General Notes:

Flashing materials must be selected based on environmental exposure, refer to NZS 3604:1999.

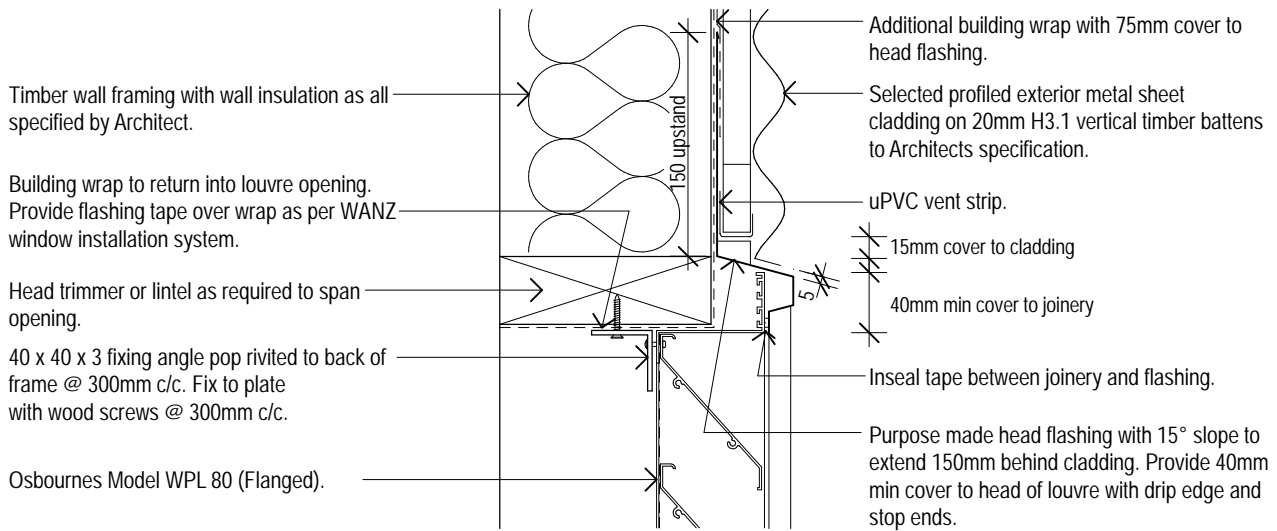
Building wrap must comply with acceptable solution E2/AS1 & NZS 3604:1999.

Flashing tape must have proven compatibility with the selected building wrap & other materials with which it comes into contact.

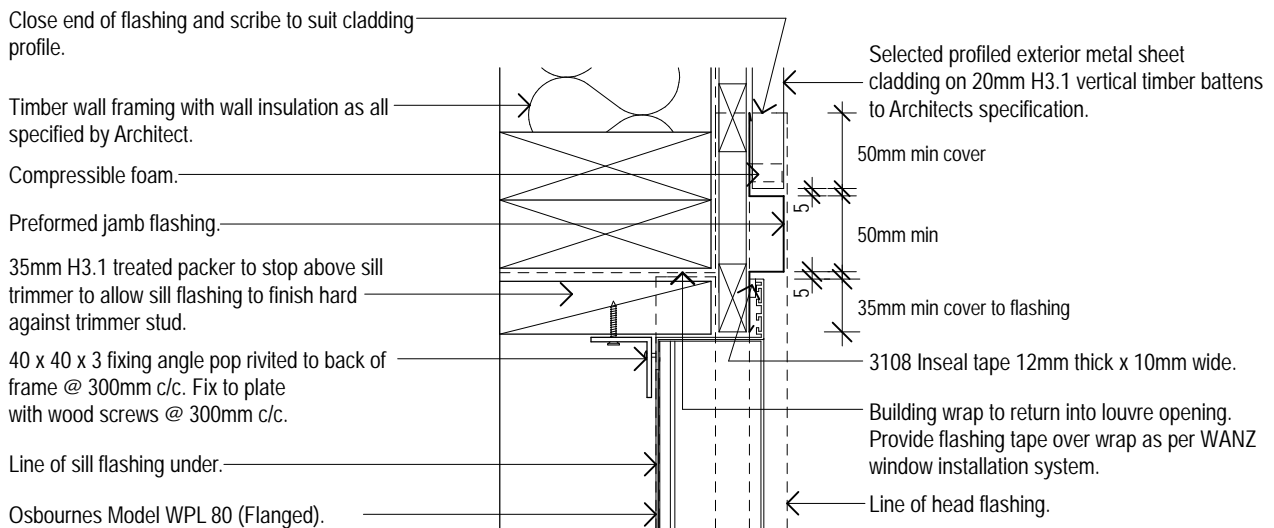
Refer to the manufacturer or supplier for technical information of all materials.

This is an untested alternative solution to NZBC E2/AS1.

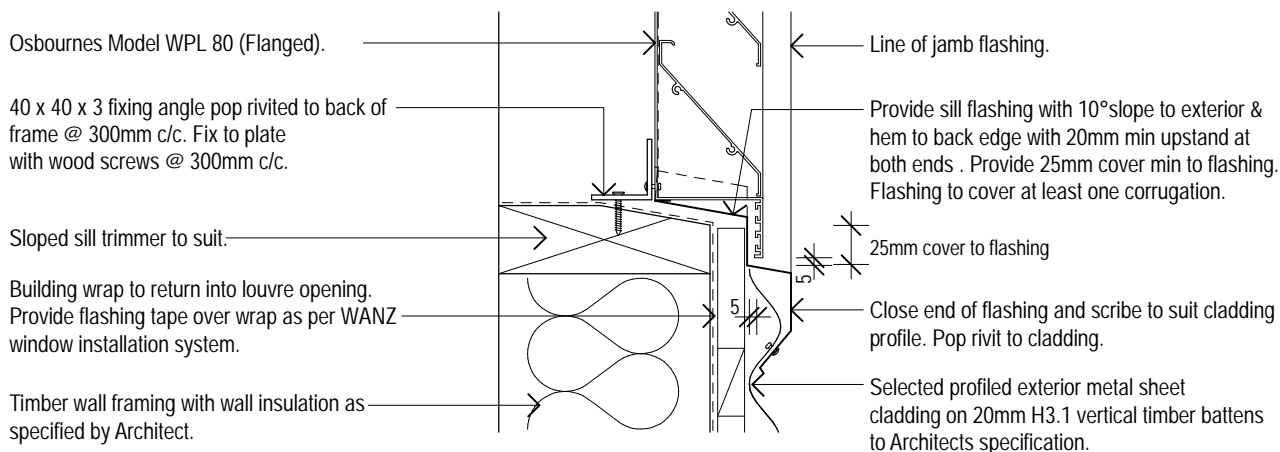
This information is intended to be informative and used as a guideline only. Due to the many variables affecting different projects Osbournes Ltd can not replace the judgment or advice of an Architect, Engineer or any other relevant technical expert and such experts must be consulted to determine the suitability or otherwise of the details or the necessity for further design/detailing.



Model WPL 80 (Flanged Frame)
Typical Horizontal Corrugate/Louvre Head Detail 01
Osbornes Ltd
 Scale 1:5



Model WPL 80 (Flanged Frame)
Typical Horizontal Corrugate/Louvre Jamb Detail 02
Osbornes Ltd
 Scale 1:5



Model WPL 80 (Flanged Frame)

Typical Horizontal Corrugate/Louvre Sill Detail 03

Osbornes Ltd
Scale 1:5

General Notes:

Flashing materials must be selected based on environmental exposure, refer to NZS 3604:1999.

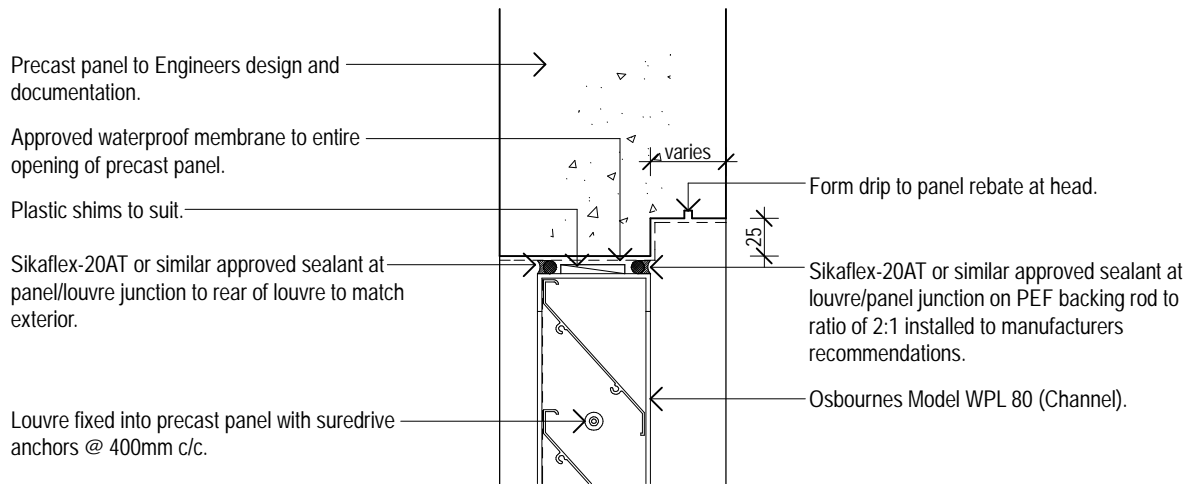
Building wrap must comply with acceptable solution NZBC E2/AS1 & NZS 3604:1999.

Flashing tape must have proven compatibility with the selected building wrap & other materials with which it comes into contact.

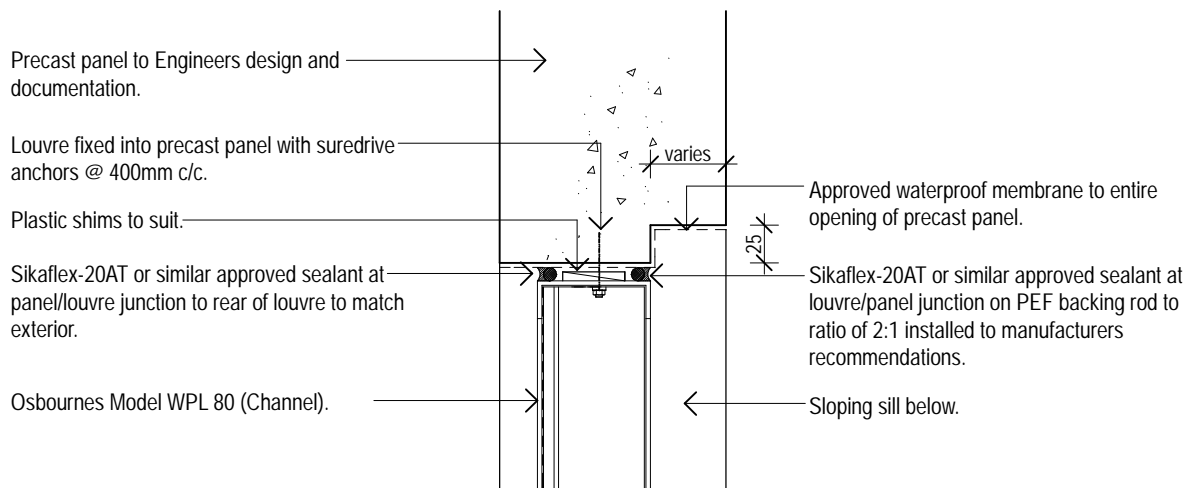
Refer to the manufacturer or supplier for technical information of all materials.

This is an untested alternative solution to NZBC E2/AS1.

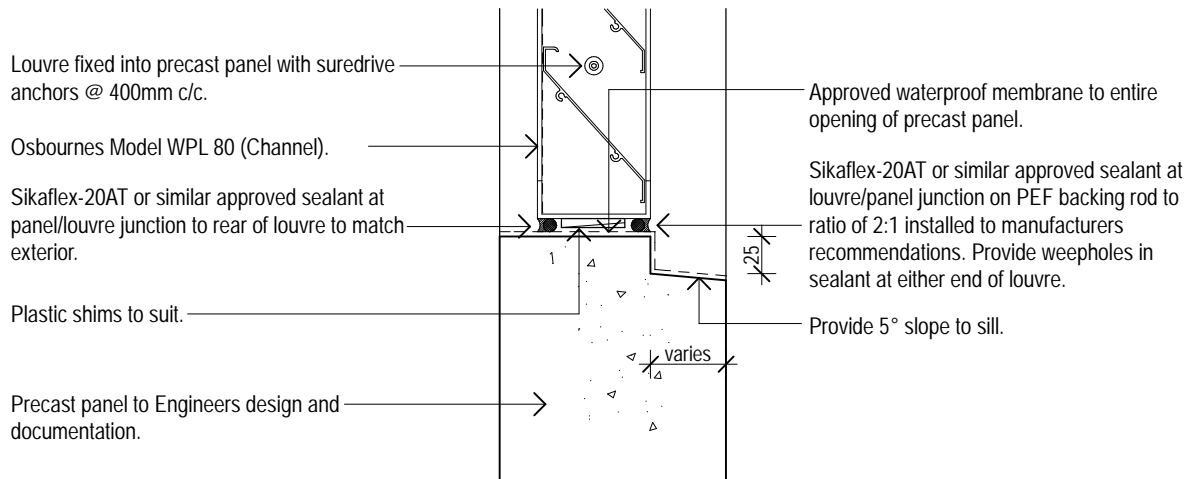
This information is intended to be informative and used as a guideline only. Due to the many variables affecting different projects Osbornes Ltd can not replace the judgment or advice of an Architect, Engineer or any other relevant technical expert and such experts must be consulted to determine the suitability or otherwise of the details or the necessity for further design/detailing.



Model WPL 80 (Channel Frame)
Typical Precast/Louvre Head Detail 01
Osbornes Ltd
 Scale 1:5



Model WPL 80 (Channel Frame)
Typical Precast/Louvre Jamb Detail 02
Osbornes Ltd
 Scale 1:5



Model WPL 80 (Channel Frame) Typical Precast/Louvre Sill Detail 03 Osbornes Ltd Scale 1:5

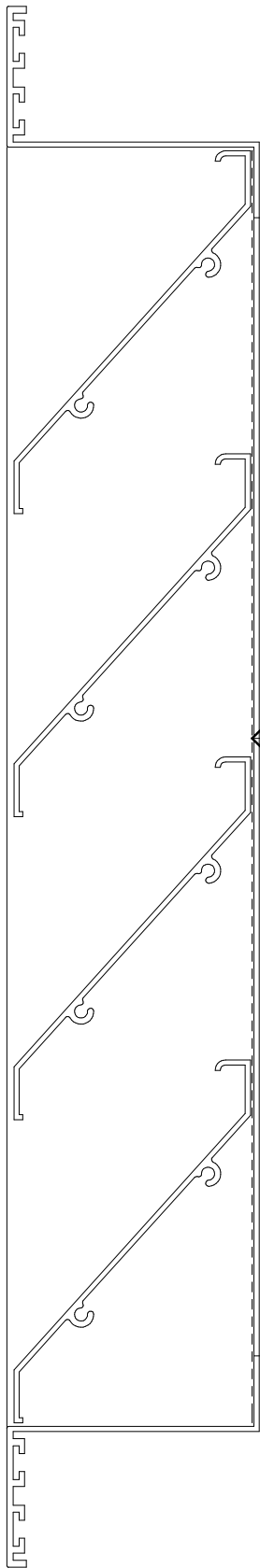
General Notes:

Flashing materials must be selected based on environmental exposure, refer to NZS 3604:1999.

Refer to the manufacturer or supplier for technical information of all materials.

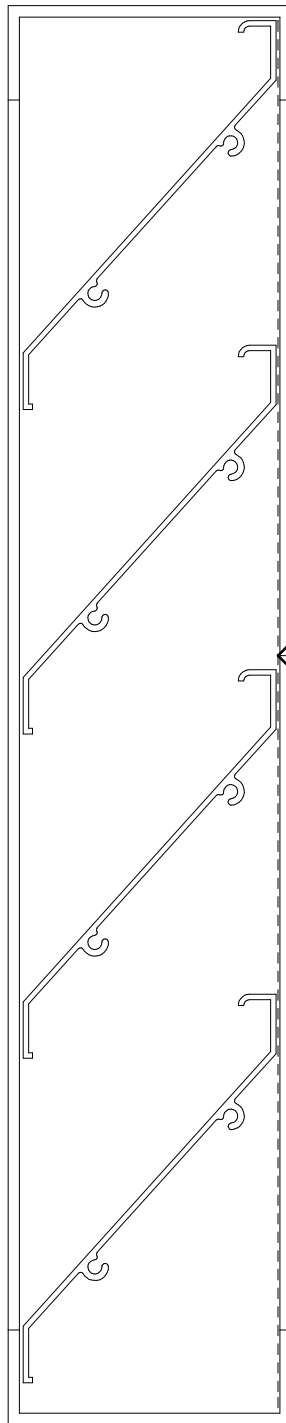
This is an untested alternative solution to NZBC E2/AS1.

This information is intended to be informative and used as a guideline only. Due to the many variables affecting different projects Osbornes Ltd can not replace the judgment or advice of an Architect, Engineer or any other relevant technical expert and such experts must be consulted to determine the suitability or otherwise of the details or the necessity for further design/detailing.



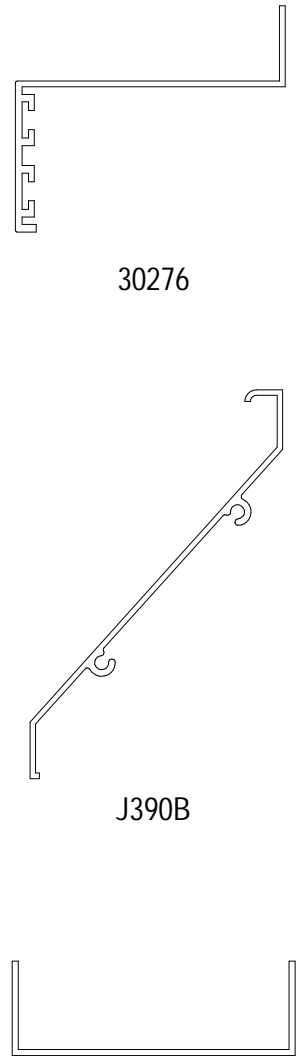
Flanged Frame

Birdmesh shown
dashed optional.



Channel Frame

Birdmesh shown
dashed optional.

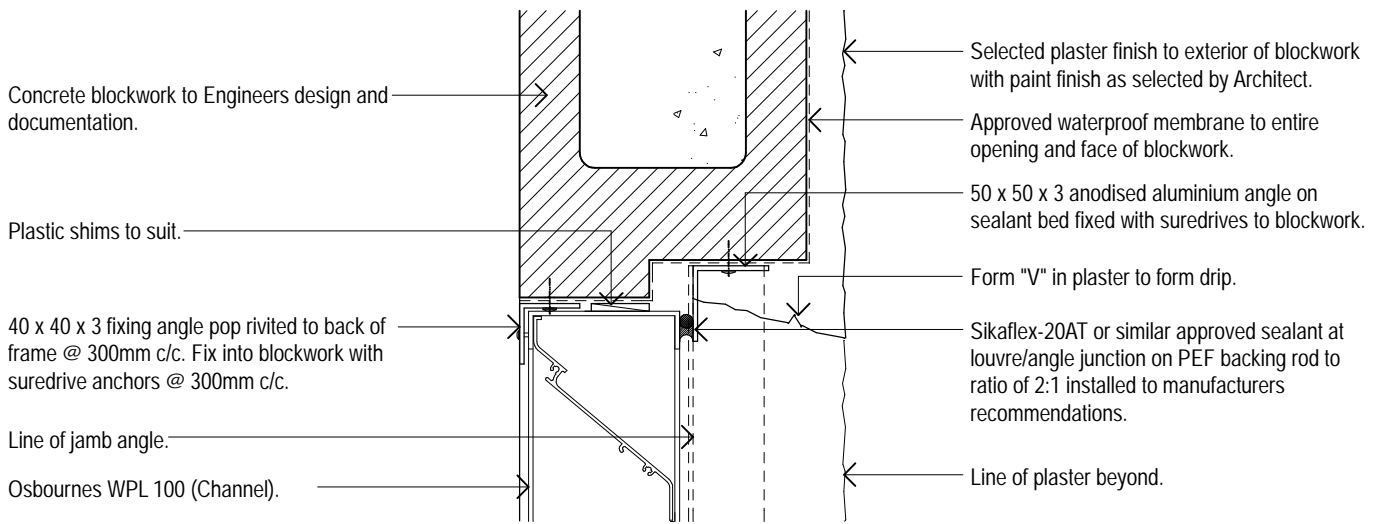


30276

J390B

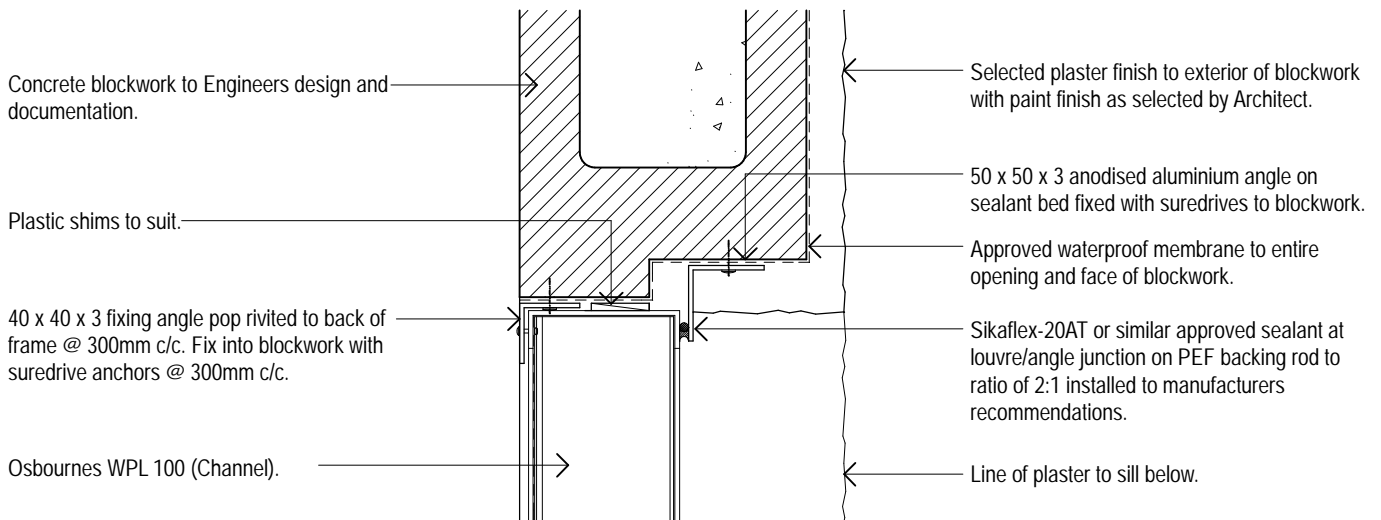
Osbornes Model WPL 80

Weather-resistant louvre
Scale 1:2



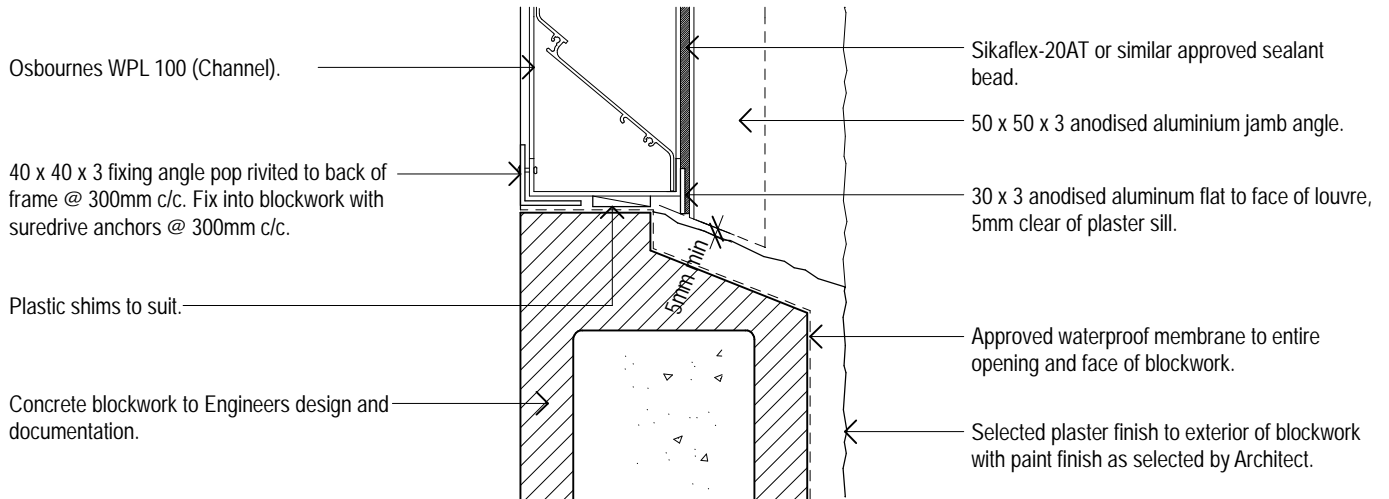
Model WPL 100 (Channel Frame) Typical Blockwall/Louvre Head Detail 01

Osbournes Ltd
Scale 1:5



Model WPL 100 (Channel Frame) Typical Blockwall/Louvre Jamb Detail 02

Osbournes Ltd
Scale 1:5



Model WPL 100 (Channel Frame) Typical Blockwall/Louvre Sill Detail 03 Osbornes Ltd Scale 1:5

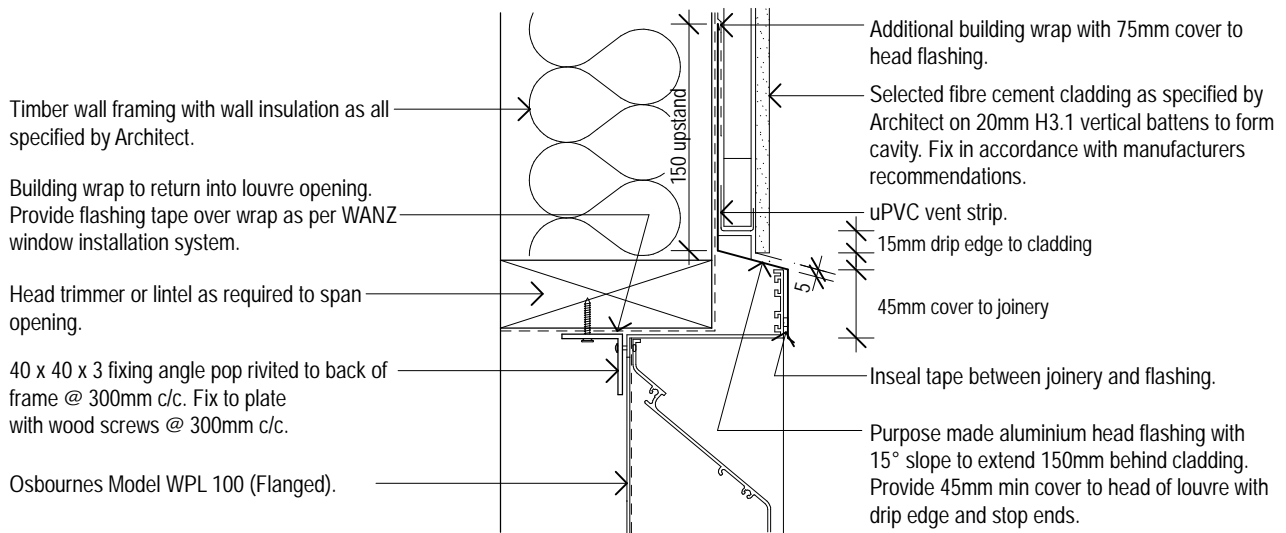
General Notes:

Flashing materials must be selected based on environmental exposure, refer to NZS 3604:1999.

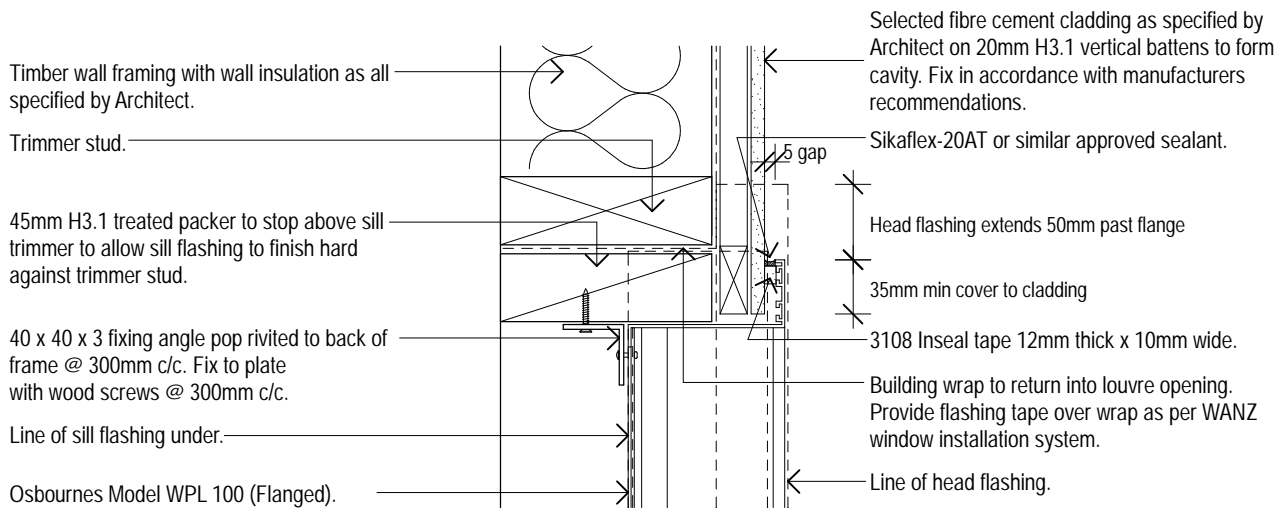
Refer to the manufacturer or supplier for technical information of all materials.

This is an untested alternative solution to NZBC E2/AS1.

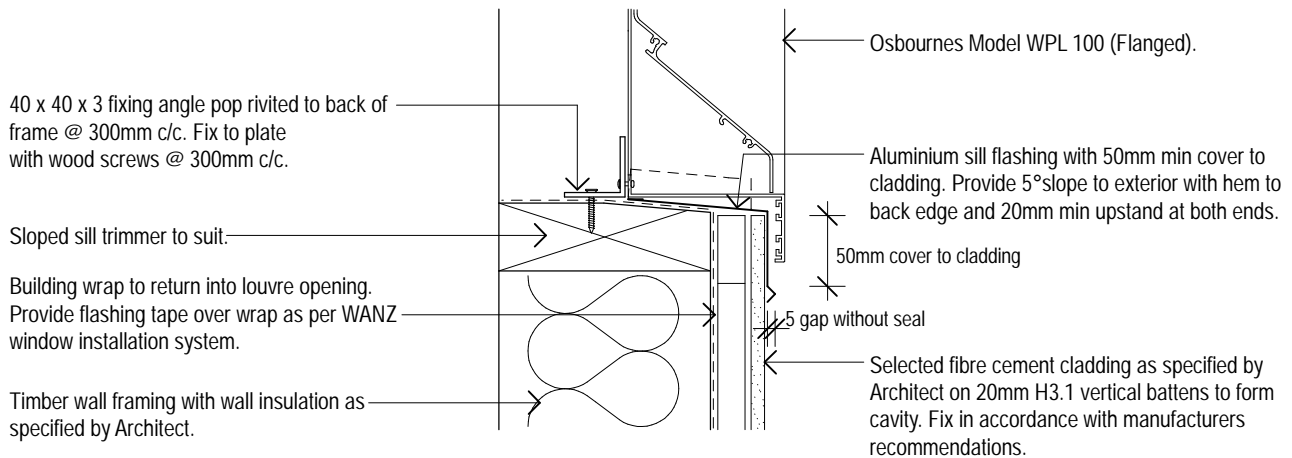
This information is intended to be informative and used as a guideline only. Due to the many variables affecting different projects Osbornes Ltd can not replace the judgment or advice of an Architect, Engineer or any other relevant technical expert and such experts must be consulted to determine the suitability or otherwise of the details or the necessity for further design/detailing.



Model WPL 100 (Flanged Frame)
Typical Fibre Cement/Louvre Head Detail 01
Osbournes Ltd
 Scale 1:5



Model WPL 100 (Flanged Frame)
Typical Fibre Cement/Louvre Jamb Detail 02
Osbournes Ltd
 Scale 1:5



Model WPL 100 (Flanged Frame)

Typical Fibre Cement/Louvre Sill Detail 03

Osbornes Ltd
Scale 1:5

General Notes:

Flashing materials must be selected based on environmental exposure, refer to NZS 3604:1999.

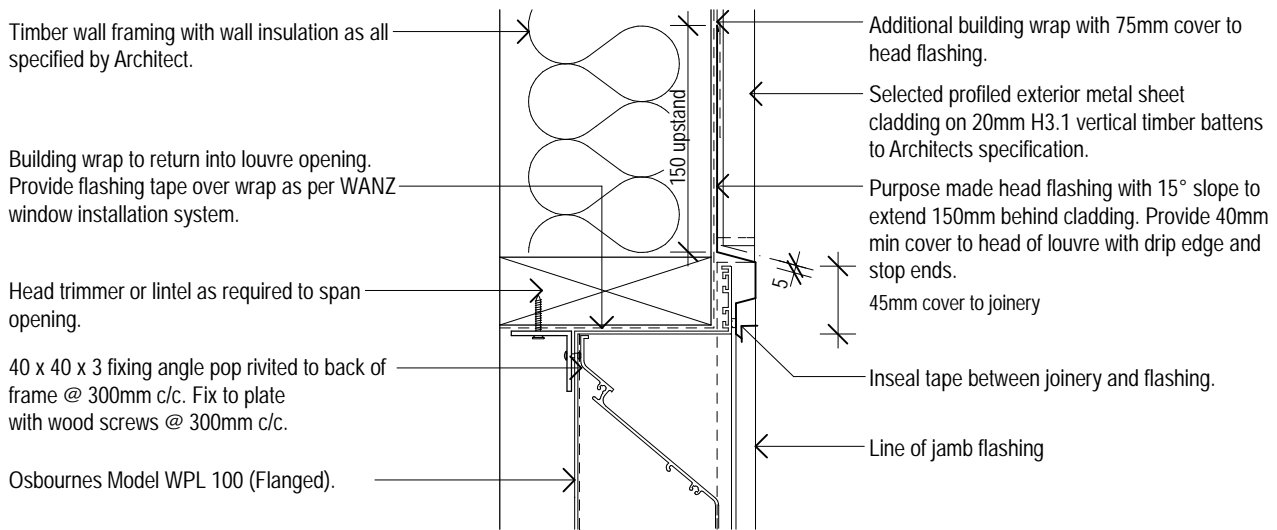
Building wrap must comply with acceptable solution E2/AS1 & NZS 3604:1999.

Flashing tape must have proven compatibility with the selected building wrap & other materials with which it comes into contact.

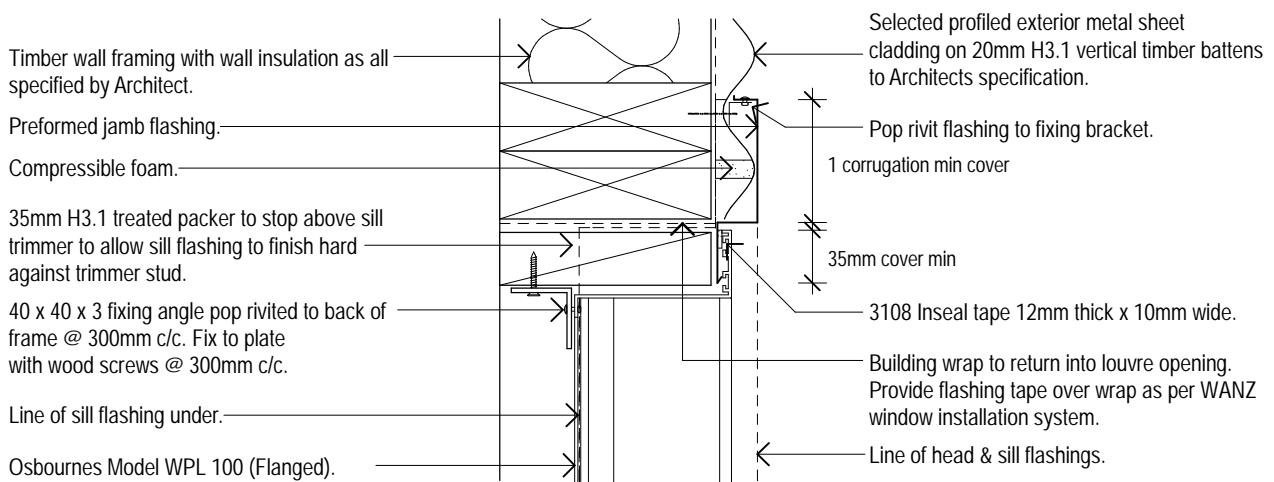
Refer to the manufacturer or supplier for technical information of all materials.

This is an untested alternative solution to NZBC E2/AS1.

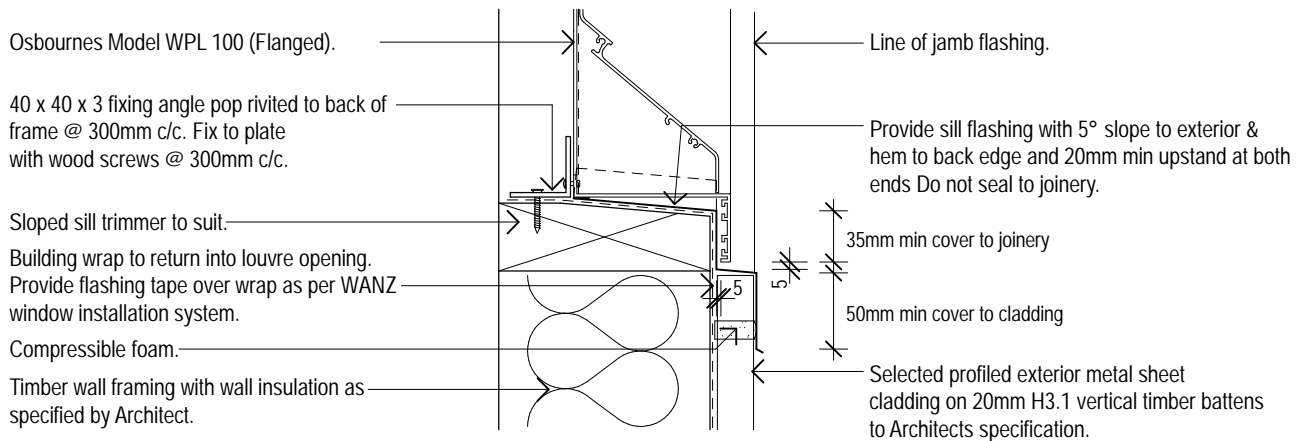
This information is intended to be informative and used as a guideline only. Due to the many variables affecting different projects Osbornes Ltd can not replace the judgment or advice of an Architect, Engineer or any other relevant technical expert and such experts must be consulted to determine the suitability or otherwise of the details or the necessity for further design/detailing.



Model WPL 100 (Flanged Frame)
Typical Vertical Corrugate/Louvre Head Detail 01
Osbournes Ltd
 Scale 1:5



Model WPL 100 (Flanged Frame)
Typical Vertical Corrugate/Louvre Jamb Detail 02
Osbournes Ltd
 Scale 1:5



Model WPL 100 (Flanged Frame) Typical Vertical Corrugate/Louvre Sill Detail 03 Osbournes Ltd Scale 1:5

General Notes:

Flashing materials must be selected based on environmental exposure, refer to NZS 3604:1999.

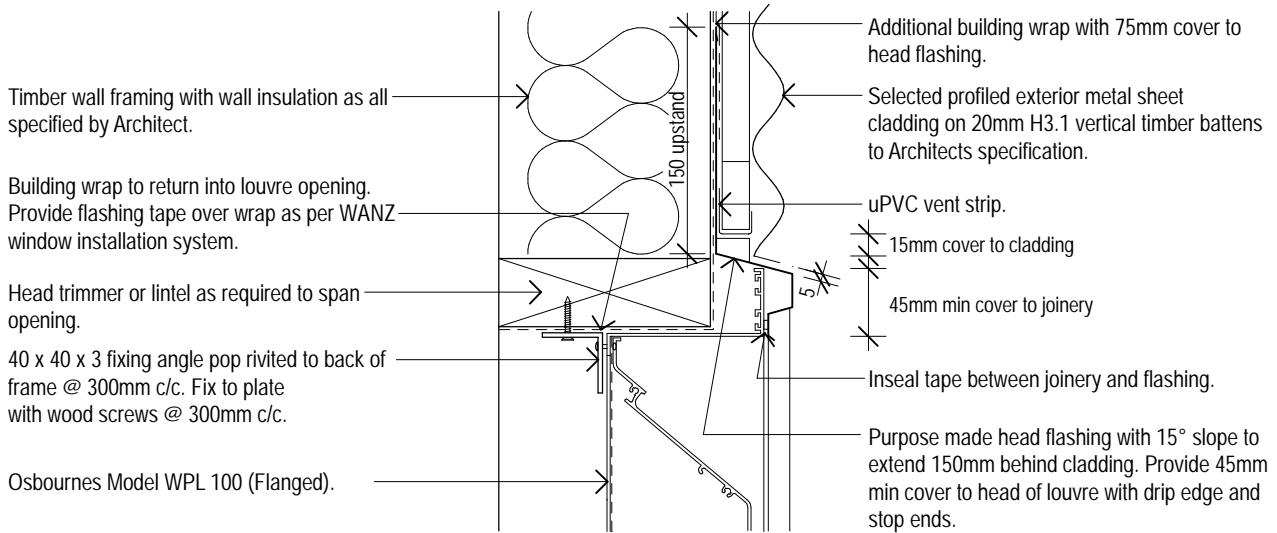
Building wrap must comply with acceptable solution E2/AS1 & NZS 3604:1999.

Flashing tape must have proven compatibility with the selected building wrap & other materials with which it comes into contact.

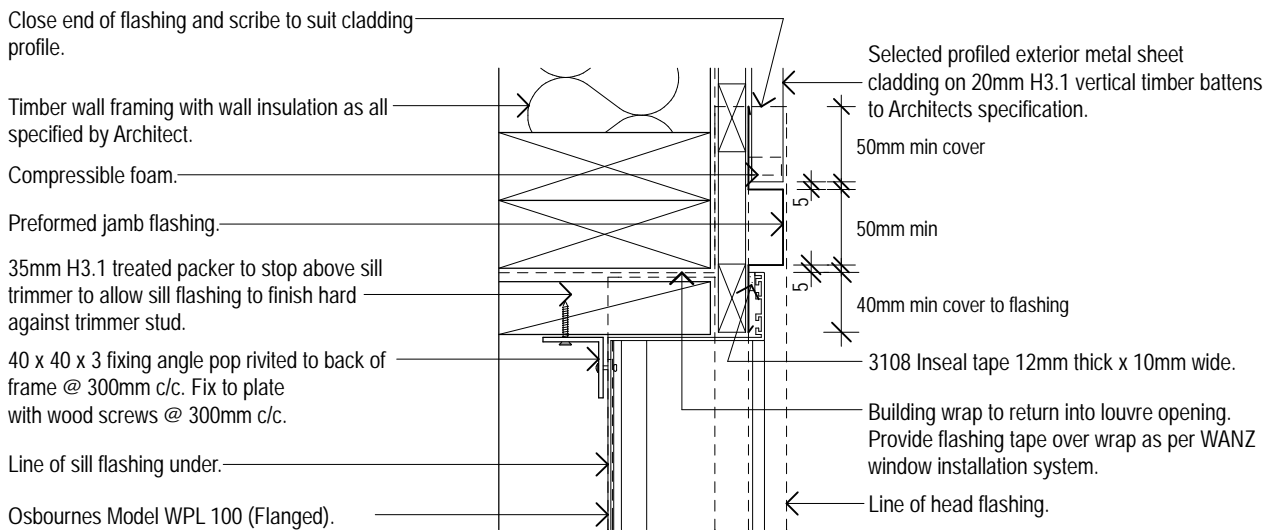
Refer to the manufacturer or supplier for technical information of all materials.

This is an untested alternative solution to NZBC E2/AS1.

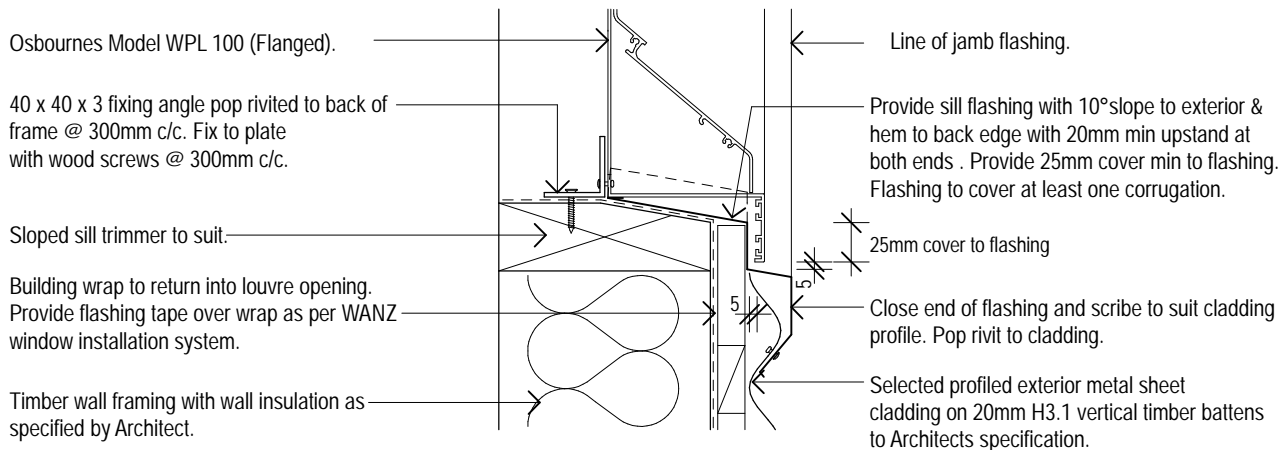
This information is intended to be informative and used as a guideline only. Due to the many variables affecting different projects Osbournes Ltd can not replace the judgment or advice of an Architect, Engineer or any other relevant technical expert and such experts must be consulted to determine the suitability or otherwise of the details or the necessity for further design/detailing.



Model WPL 100 (Flanged Frame)
Typical Horizontal Corrugate/Louvre Head Detail 01
Osbornes Ltd
 Scale 1:5



Model WPL 100 (Flanged Frame)
Typical Horizontal Corrugate/Louvre Jamb Detail 02
Osbornes Ltd
 Scale 1:5



Model WPL 100 (Flanged Frame)
Typical Horizontal Corrugate/Louvre Sill Detail 03
Osbournes Ltd
 Scale 1:5

General Notes:

Flashing materials must be selected based on environmental exposure, refer to NZS 3604:1999.

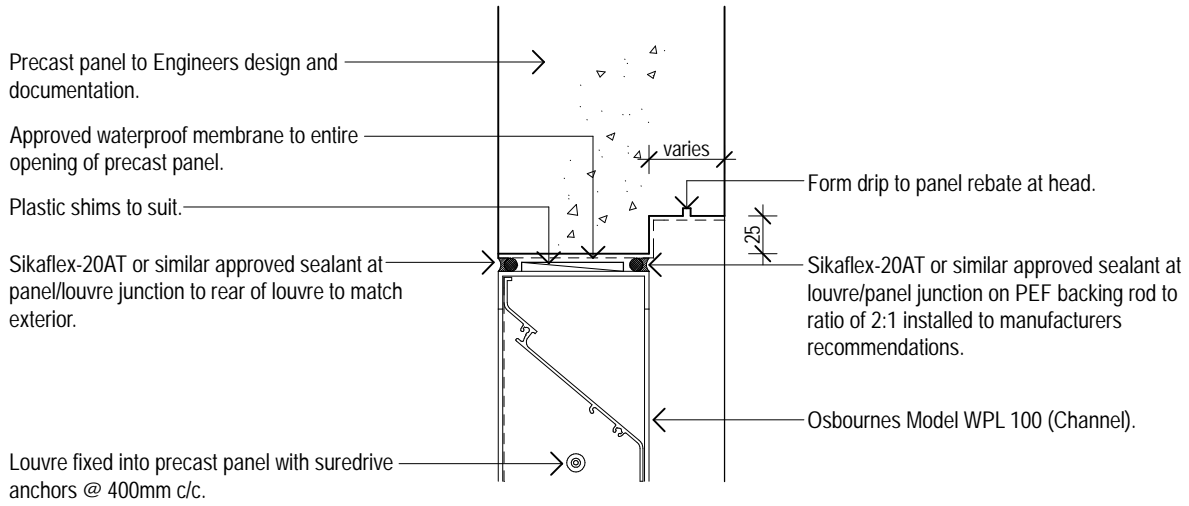
Building wrap must comply with acceptable solution NZBC E2/AS1 & NZS 3604:1999.

Flashing tape must have proven compatibility with the selected building wrap & other materials with which it comes into contact.

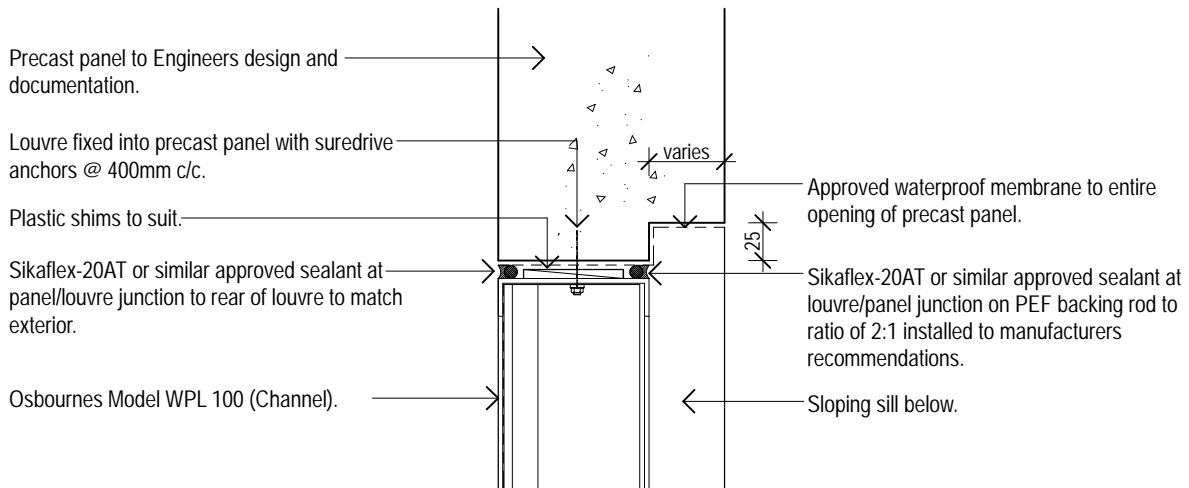
Refer to the manufacturer or supplier for technical information of all materials.

This is an untested alternative solution to NZBC E2/AS1.

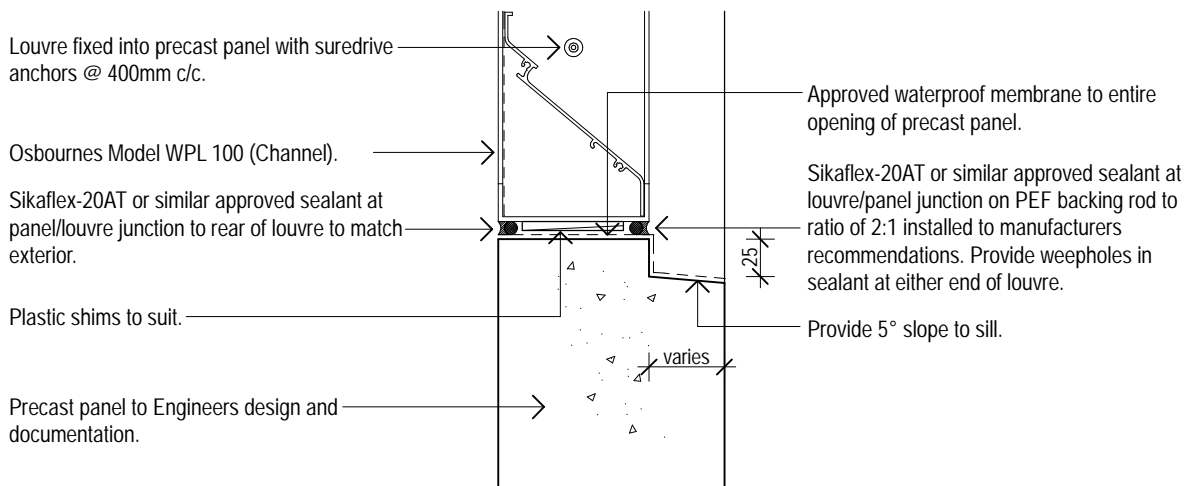
This information is intended to be informative and used as a guideline only. Due to the many variables affecting different projects Osbournes Ltd can not replace the judgment or advice of an Architect, Engineer or any other relevant technical expert and such experts must be consulted to determine the suitability or otherwise of the details or the necessity for further design/detailing.



Model WPL 100 (Channel Frame)
Typical Precast/Louvre Head Detail 01
Osbournes Ltd
 Scale 1:5



Model WPL 100 (Channel Frame)
Typical Precast/Louvre Jamb Detail 02
Osbournes Ltd
 Scale 1:5



Model WPL 100 (Channel Frame) Typical Precast/Louvre Sill Detail 03 Osbornes Ltd Scale 1:5

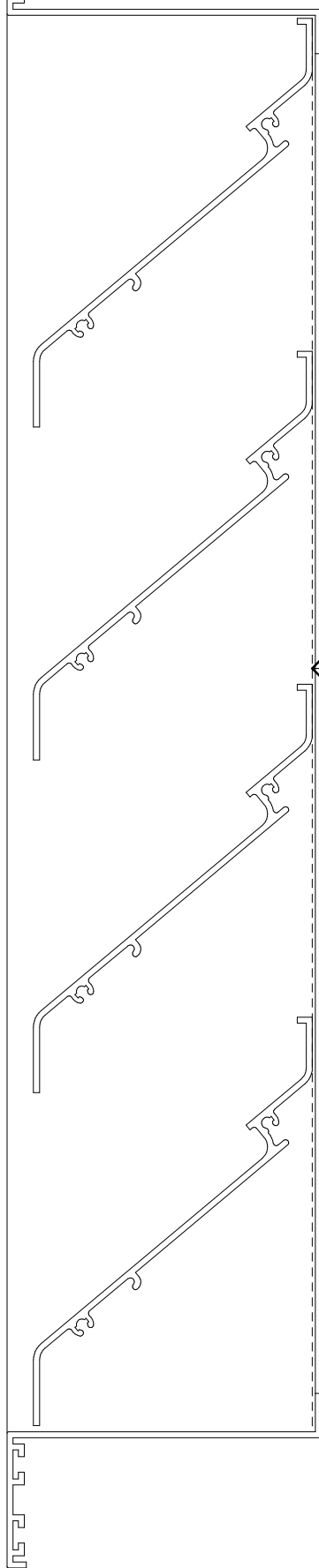
General Notes:

Flashing materials must be selected based on environmental exposure, refer to NZS 3604:1999.

Refer to the manufacturer or supplier for technical information of all materials.

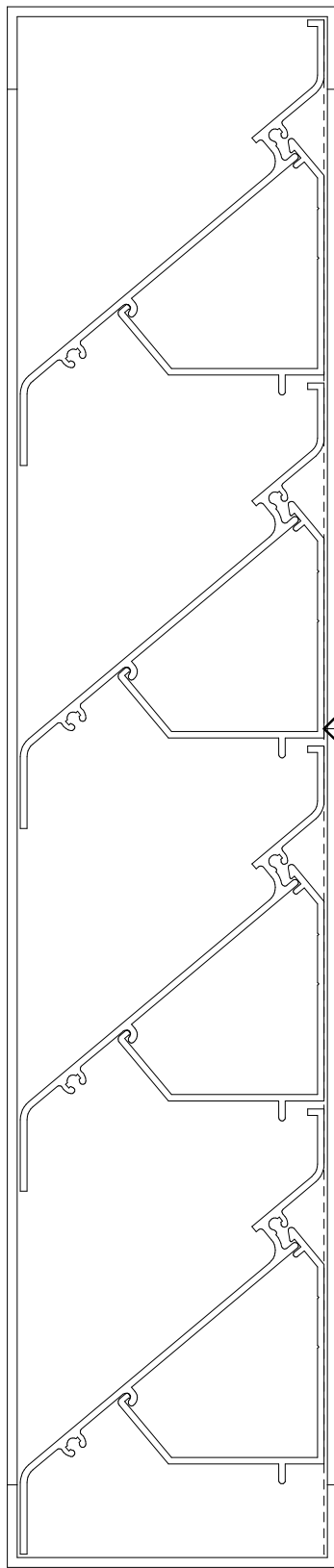
This is an untested alternative solution to NZBC E2/AS1.

This information is intended to be informative and used as a guideline only. Due to the many variables affecting different projects Osbornes Ltd can not replace the judgment or advice of an Architect, Engineer or any other relevant technical expert and such experts must be consulted to determine the suitability or otherwise of the details or the necessity for further design/detailing.



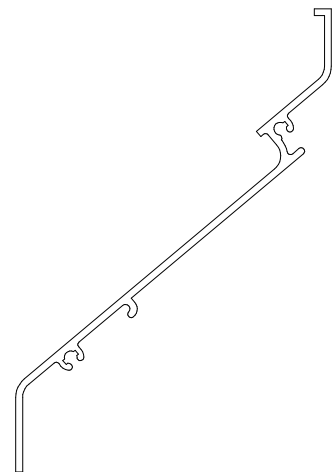
Flanged Frame

Birdmesh shown dashed optional.

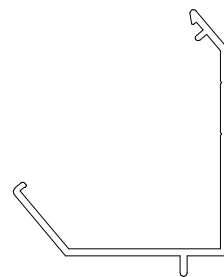


Channel Frame

Birdmesh shown dashed optional.



ENZ4894



ENZ6656
Supplementary mounting
bracket/stiffener

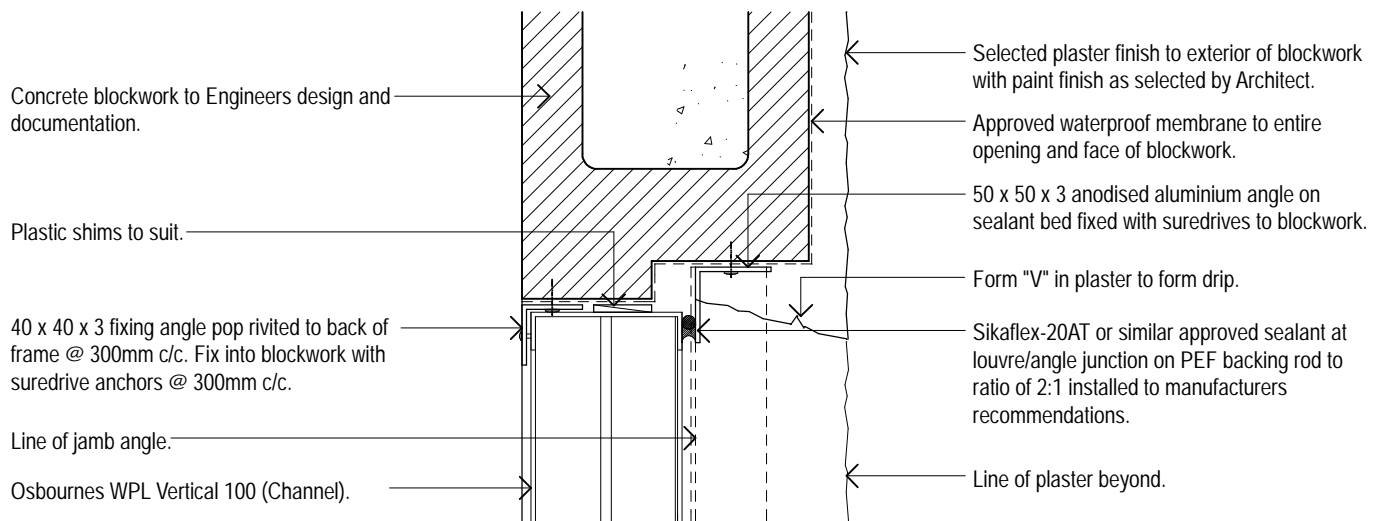


31723

Osbornes Model WPL 100

Weather-resistant louvre/double weather stop

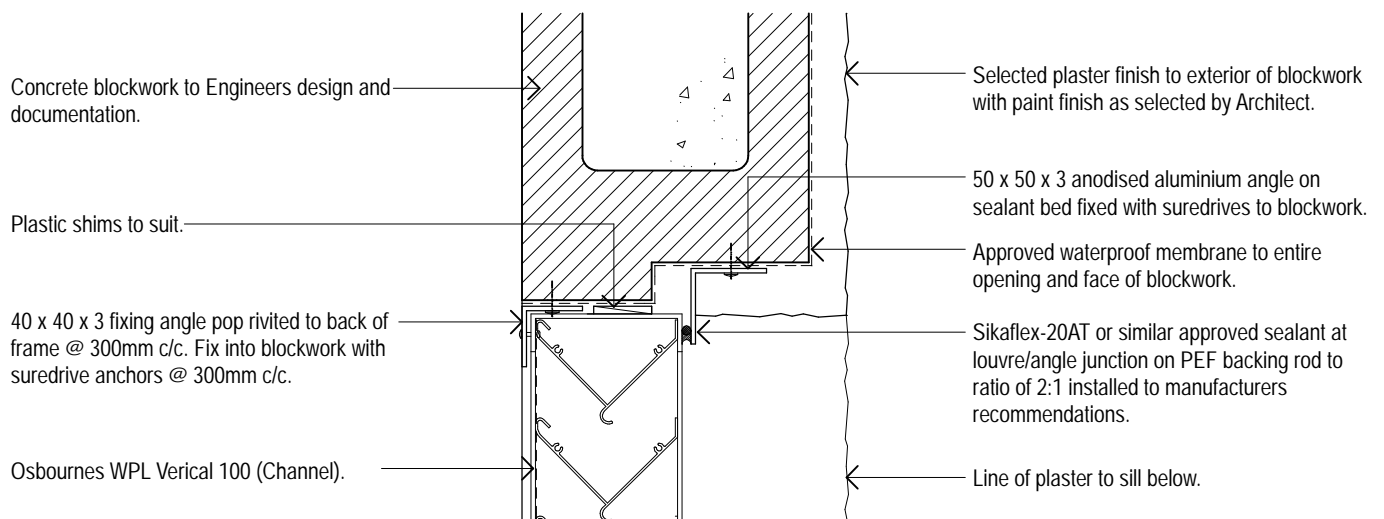
Scale 1:2



Model WPL Vertical 100 (Channel Frame) Typical Blockwall/Louvre Head Detail 01

Osbornes Ltd

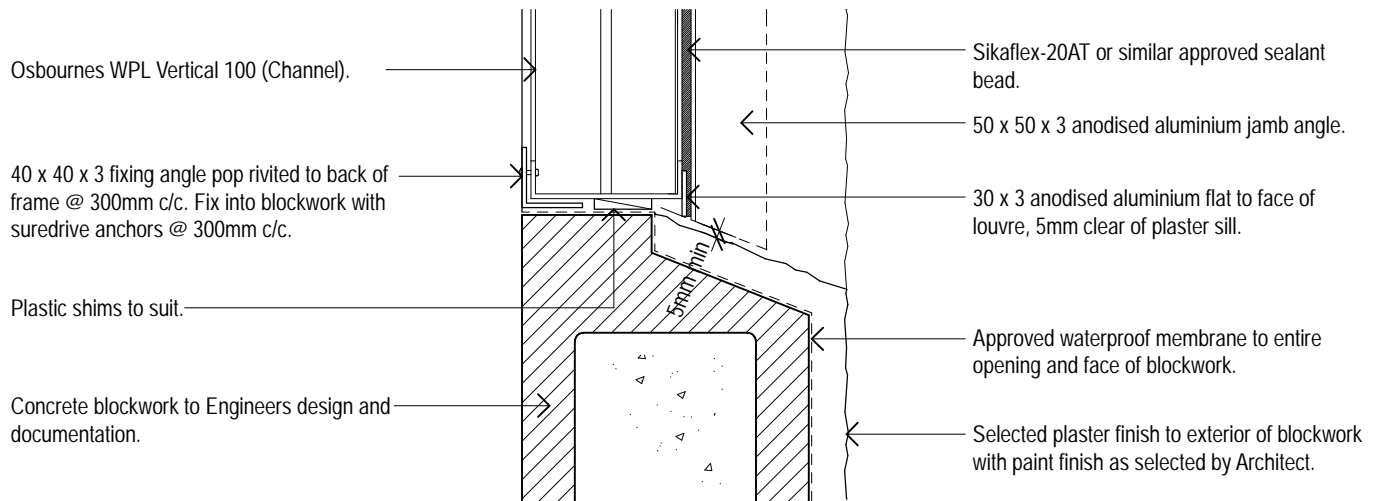
Scale 1:5



Model WPL Vertical 100 (Channel Frame) Typical Blockwall/Louvre Jamb Detail 02

Osbornes Ltd

Scale 1:5



Model WPL Vertical 100 (Channel Frame)
Typical Blockwall/Louvre Sill Detail 03
Osbornes Ltd
 Scale 1:5

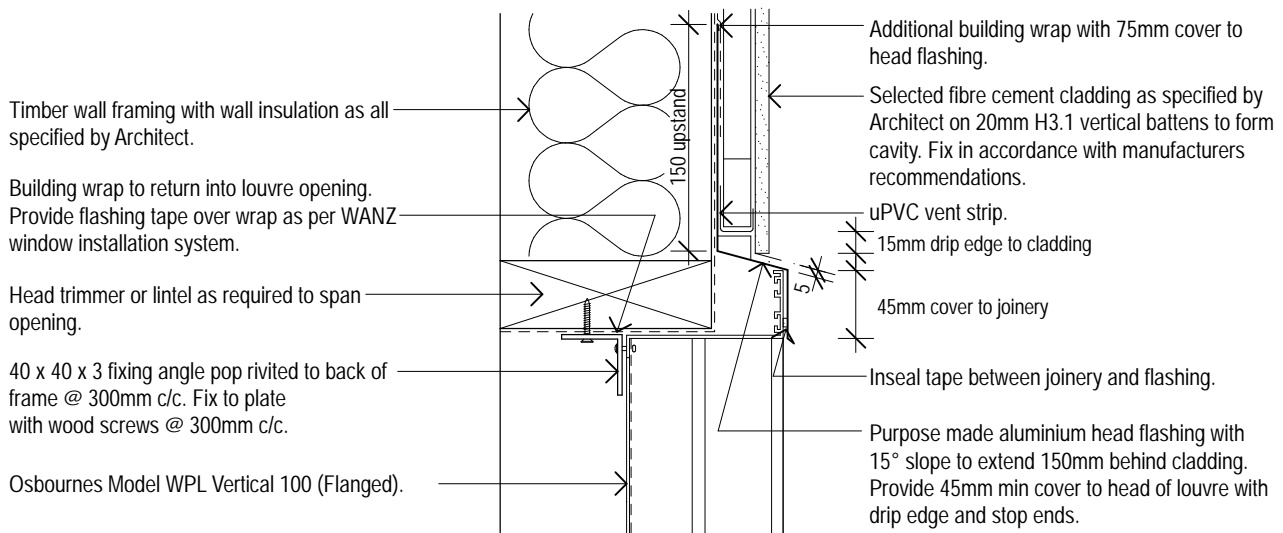
General Notes:

Flashing materials must be selected based on environmental exposure, refer to NZS 3604:1999.

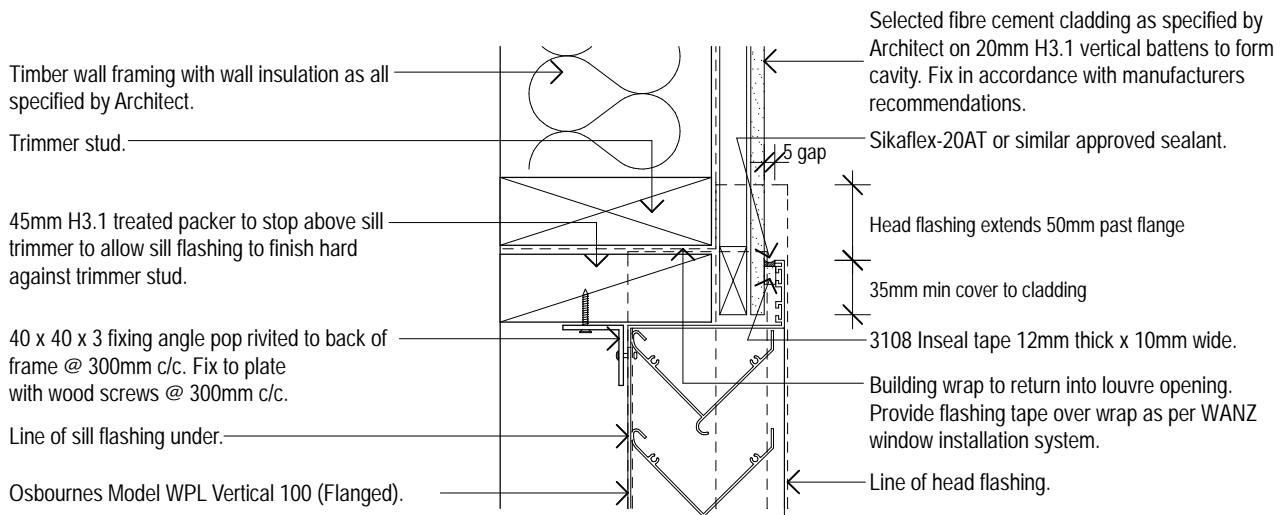
Refer to the manufacturer or supplier for technical information of all materials.

This is an untested alternative solution to NZBC E2/AS1.

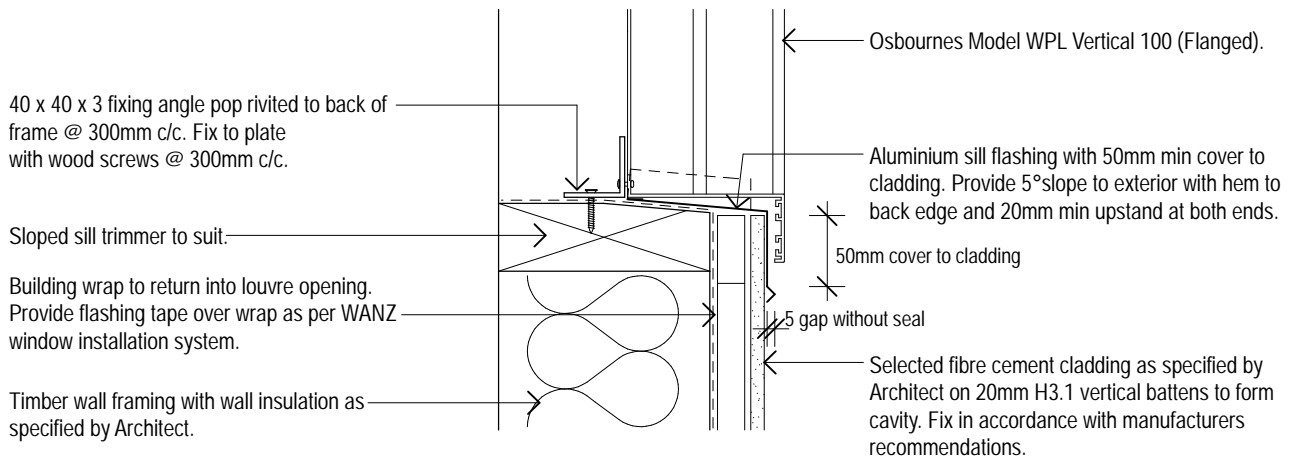
This information is intended to be informative and used as a guideline only. Due to the many variables affecting different projects Osbornes Ltd can not replace the judgment or advice of an Architect, Engineer or any other relevant technical expert and such experts must be consulted to determine the suitability or otherwise of the details or the necessity for further design/detailing.



Model WPL Vertical 100 (Flanged Frame)
Typical Fibre Cement/Louvre Head Detail 01
Osbournes Ltd
 Scale 1:5



Model WPL Vertical 100 (Flanged Frame)
Typical Fibre Cement/Louvre Jamb Detail 02
Osbournes Ltd
 Scale 1:5



Model WPL Vertical 100 (Flanged Frame) Typical Fibre Cement/Louvre Sill Detail 03 Osbournes Ltd Scale 1:5

General Notes:

Flashing materials must be selected based on environmental exposure, refer to NZS 3604:1999.

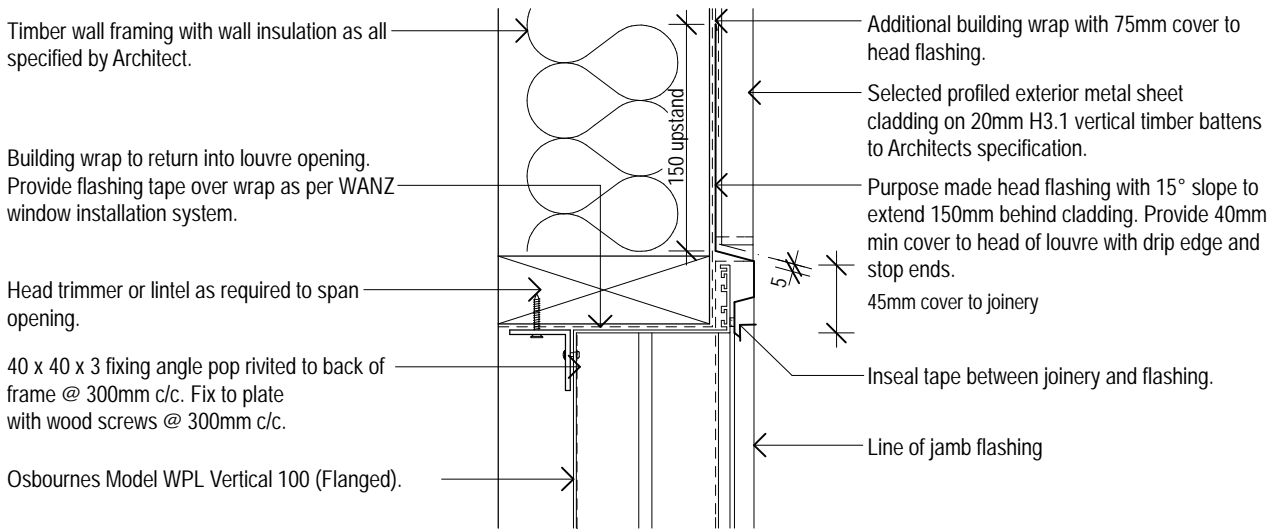
Building wrap must comply with acceptable solution E2/AS1 & NZS 3604:1999.

Flashing tape must have proven compatibility with the selected building wrap & other materials with which it comes into contact.

Refer to the manufacturer or supplier for technical information of all materials.

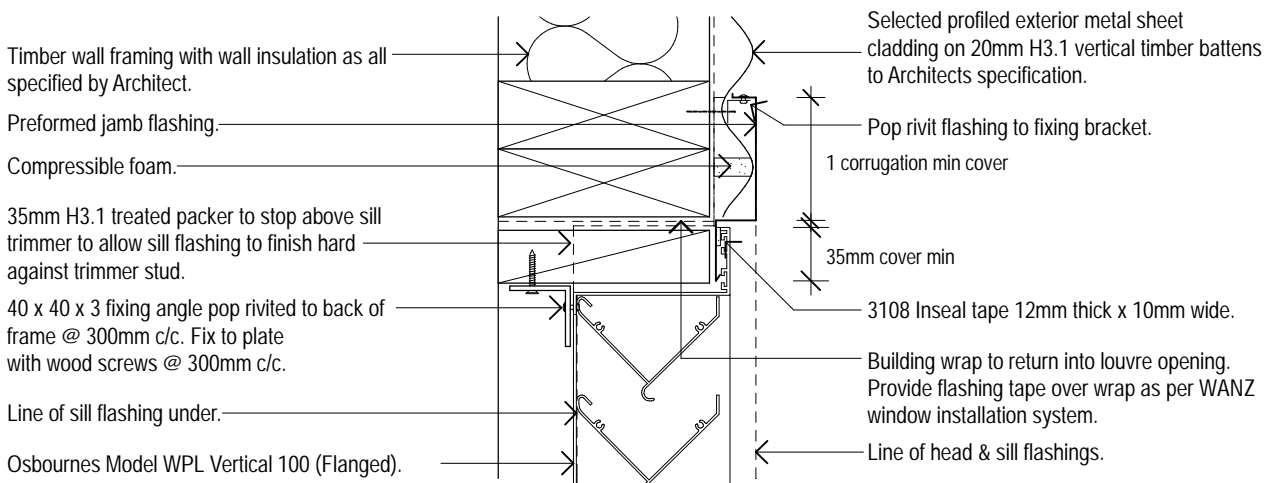
This is an untested alternative solution to NZBC E2/AS1.

This information is intended to be informative and used as a guideline only. Due to the many variables affecting different projects Osbournes Ltd can not replace the judgment or advice of an Architect, Engineer or any other relevant technical expert and such experts must be consulted to determine the suitability or otherwise of the details or the necessity for further design/detailing.



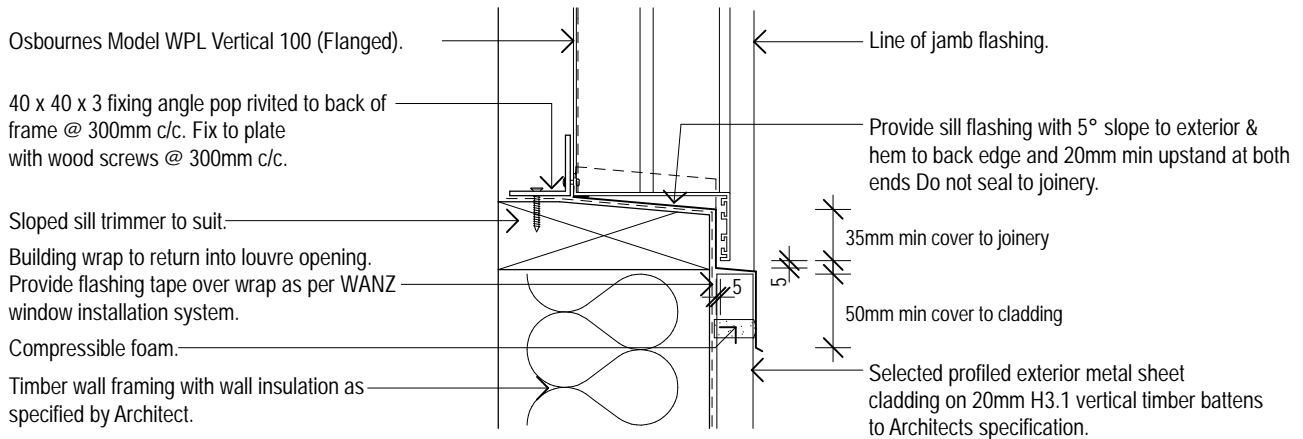
Model WPL Vertical 100 (Flanged Frame) Typical Vertical Corrugate/Louvre Head Detail 01

Osbornes Ltd
Scale 1:5



Model WPL Vertical 100 (Flanged Frame) Typical Vertical Corrugate/Louvre Jamb Detail 02

Osbornes Ltd
Scale 1:5



Model WPL Vertical 100 (Flanged Frame) Typical Vertical Corrugate/Louvre Sill Detail 03 Osbornes Ltd Scale 1:5

General Notes:

Flashing materials must be selected based on environmental exposure, refer to NZS 3604:1999.

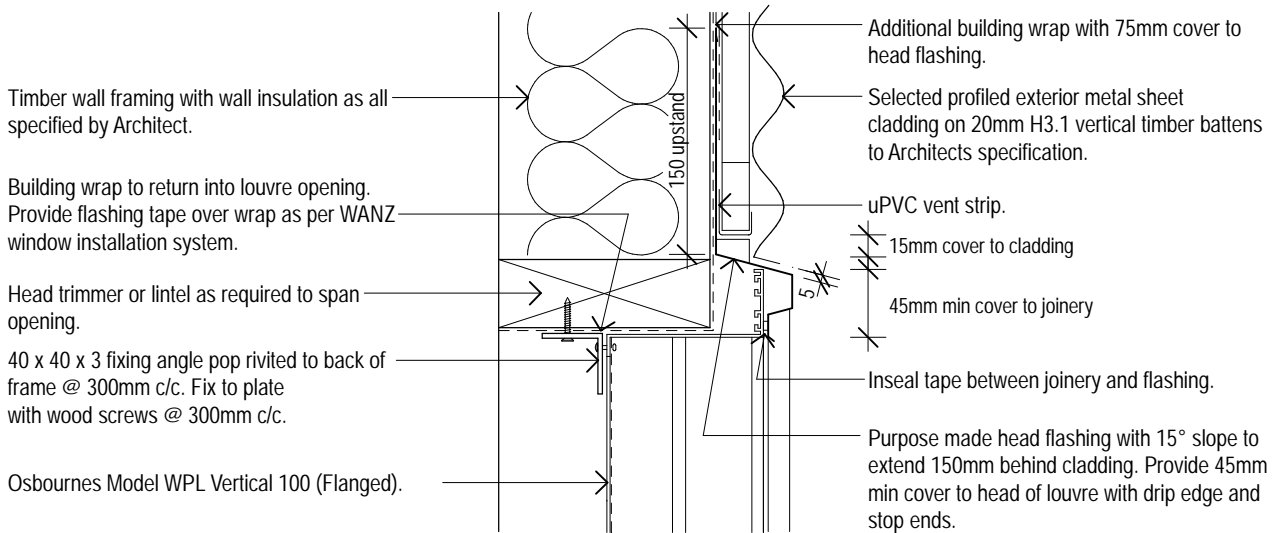
Building wrap must comply with acceptable solution E2/AS1 & NZS 3604:1999.

Flashing tape must have proven compatibility with the selected building wrap & other materials with which it comes into contact.

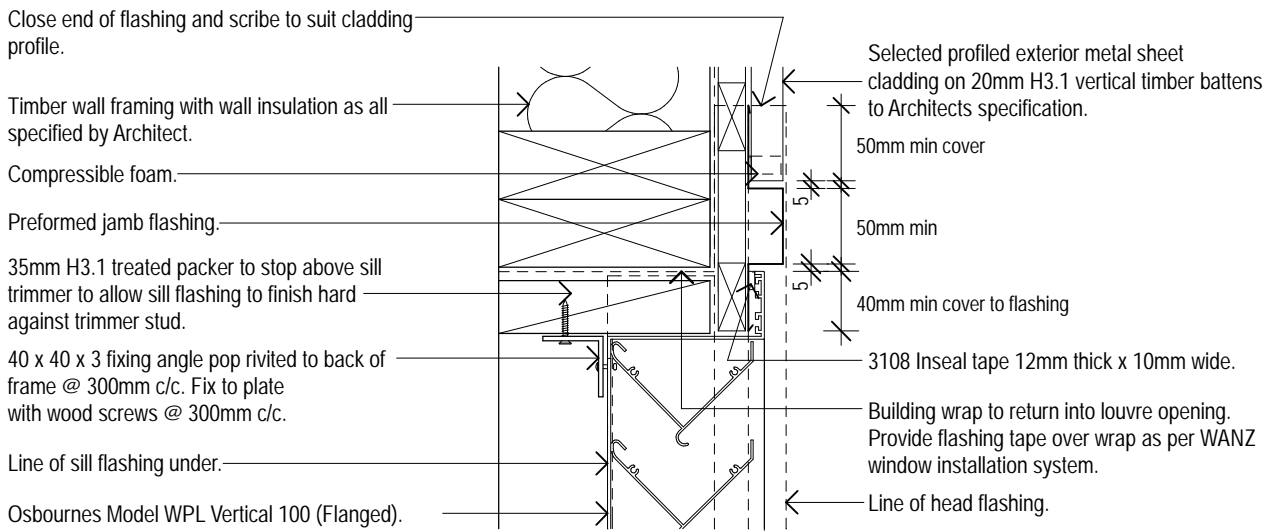
Refer to the manufacturer or supplier for technical information of all materials.

This is an untested alternative solution to NZBC E2/AS1.

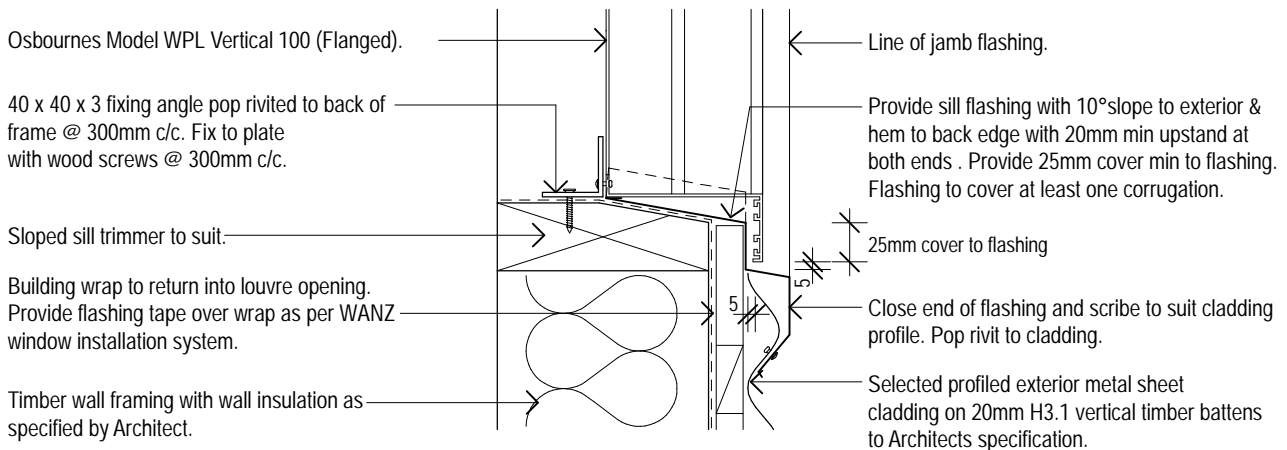
This information is intended to be informative and used as a guideline only. Due to the many variables affecting different projects Osbornes Ltd can not replace the judgment or advice of an Architect, Engineer or any other relevant technical expert and such experts must be consulted to determine the suitability or otherwise of the details or the necessity for further design/detailing.



Model WPL Vertical 100 (Flanged Frame)
Typical Horizontal Corrugate/Louvre Head Detail 01
Osbornes Ltd
 Scale 1:5



Model WPL Vertical 100 (Flanged Frame)
Typical Horizontal Corrugate/Louvre Jamb Detail 02
Osbornes Ltd
 Scale 1:5



Model WPL Vertical 100 (Flanged Frame) Typical Horizontal Corrugate/Louvre Sill Detail 03

Osbournes Ltd

Scale 1:5

General Notes:

Flashing materials must be selected based on environmental exposure, refer to NZS 3604:1999.

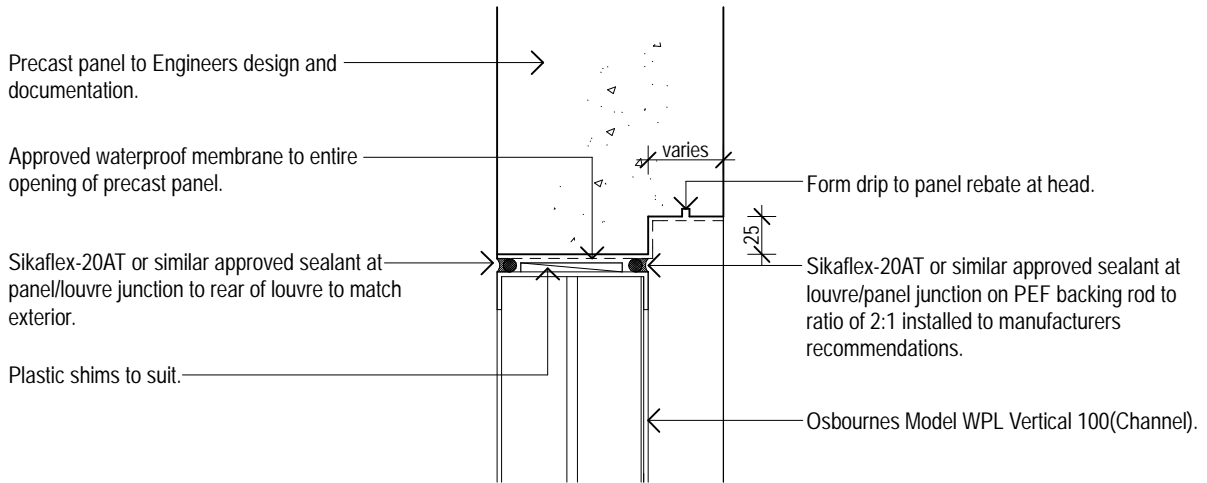
Building wrap must comply with acceptable solution NZBC E2/AS1 & NZS 3604:1999.

Flashing tape must have proven compatibility with the selected building wrap & other materials with which it comes into contact.

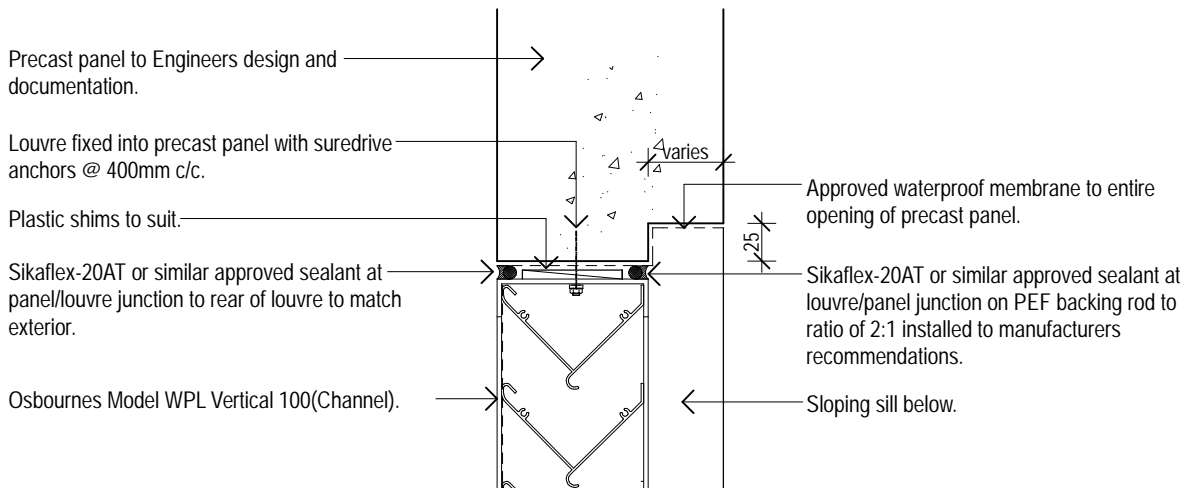
Refer to the manufacturer or supplier for technical information of all materials.

This is an untested alternative solution to NZBC E2/AS1.

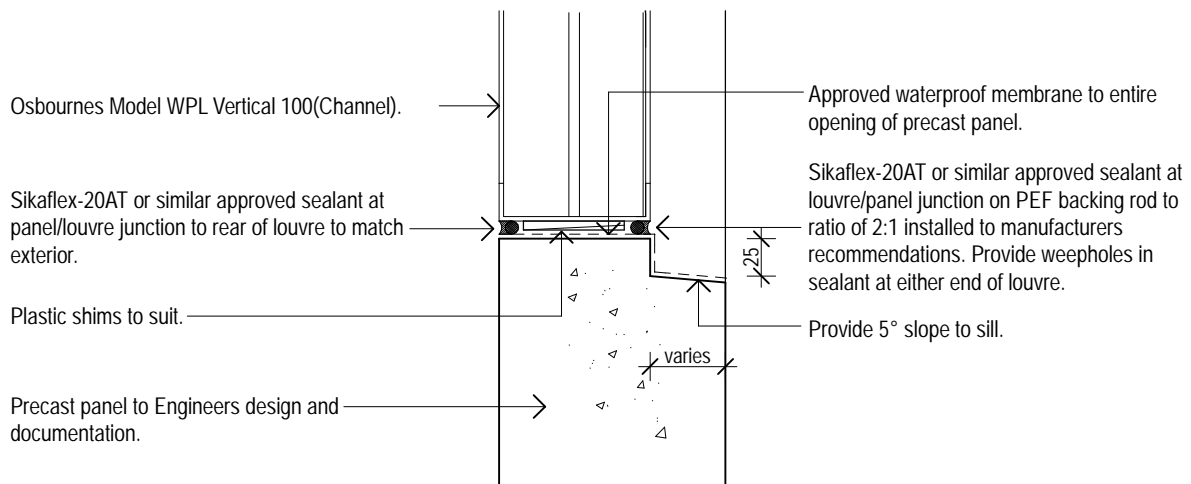
This information is intended to be informative and used as a guideline only. Due to the many variables affecting different projects Osbournes Ltd can not replace the judgment or advice of an Architect, Engineer or any other relevant technical expert and such experts must be consulted to determine the suitability or otherwise of the details or the necessity for further design/detailing.



Model WPL Vertical 100 (Channel Frame)
Typical Precast/Louvre Head Detail 01
 Osbornes Ltd
 Scale 1:5



Model WPL Vertical 100 (Channel Frame)
Typical Precast/Louvre Jamb Detail 02
 Osbornes Ltd
 Scale 1:5



Model WPL Vertical 100 (Channel Frame)
Typical Precast/Louvre Sill Detail 03
Osbourne Ltd
 Scale 1:5

General Notes:

Flashing materials must be selected based on environmental exposure, refer to NZS 3604:1999.

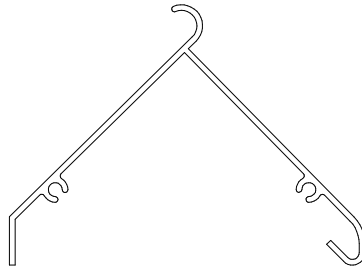
Refer to the manufacturer or supplier for technical information of all materials.

This is an untested alternative solution to NZBC E2/AS1.

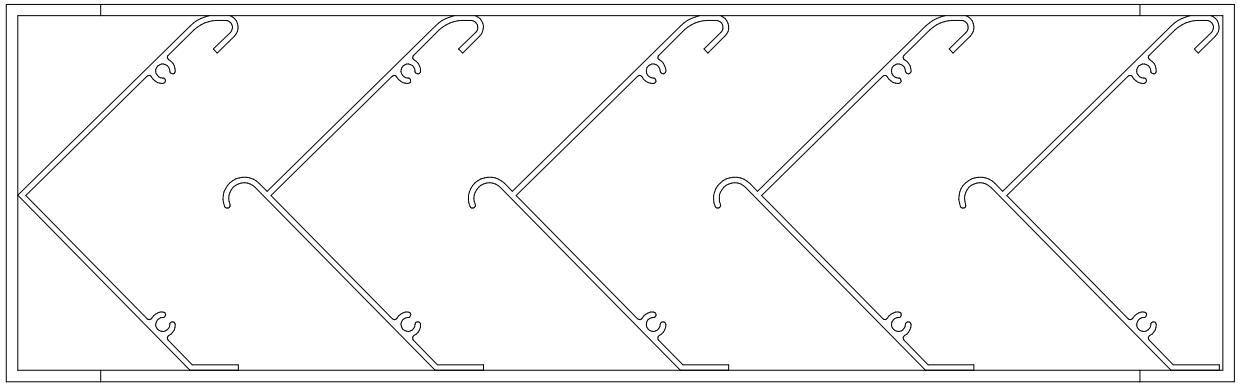
This information is intended to be informative and used as a guideline only. Due to the many variables affecting different projects Osbourne Ltd can not replace the judgment or advice of an Architect, Engineer or any other relevant technical expert and such experts must be consulted to determine the suitability or otherwise of the details or the necessity for further design/detailing.



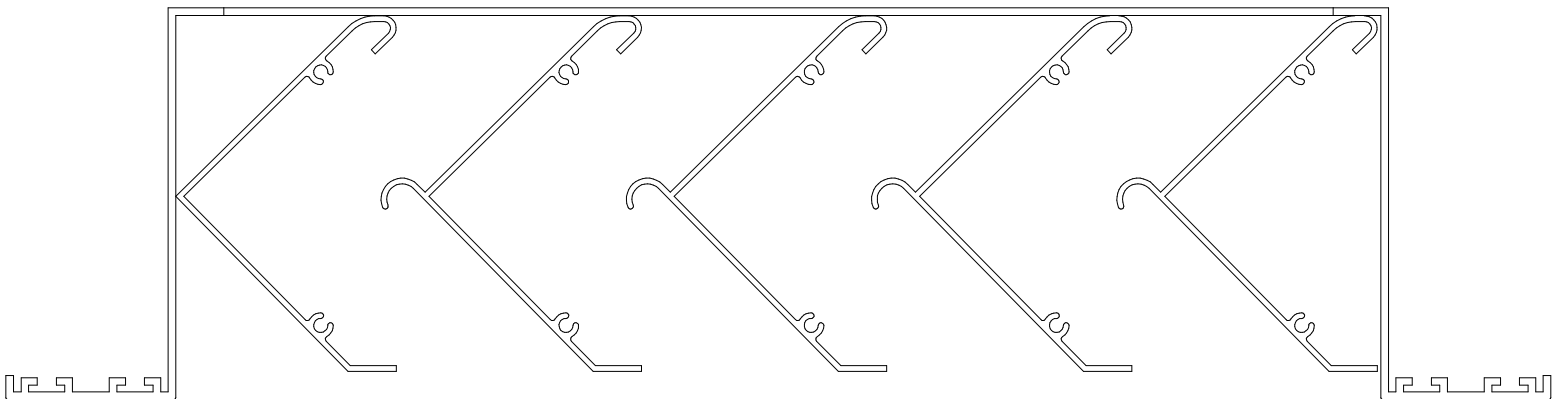
31723



9517



Channel Frame

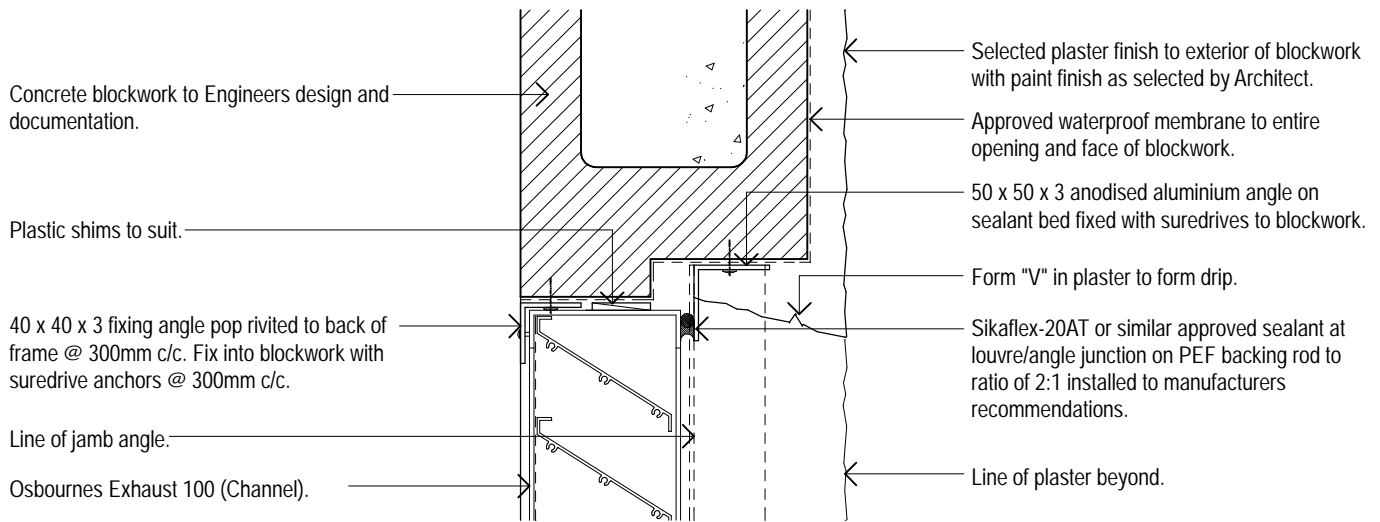


Flanged Frame

Osbornes Model WPL 100 Vertical

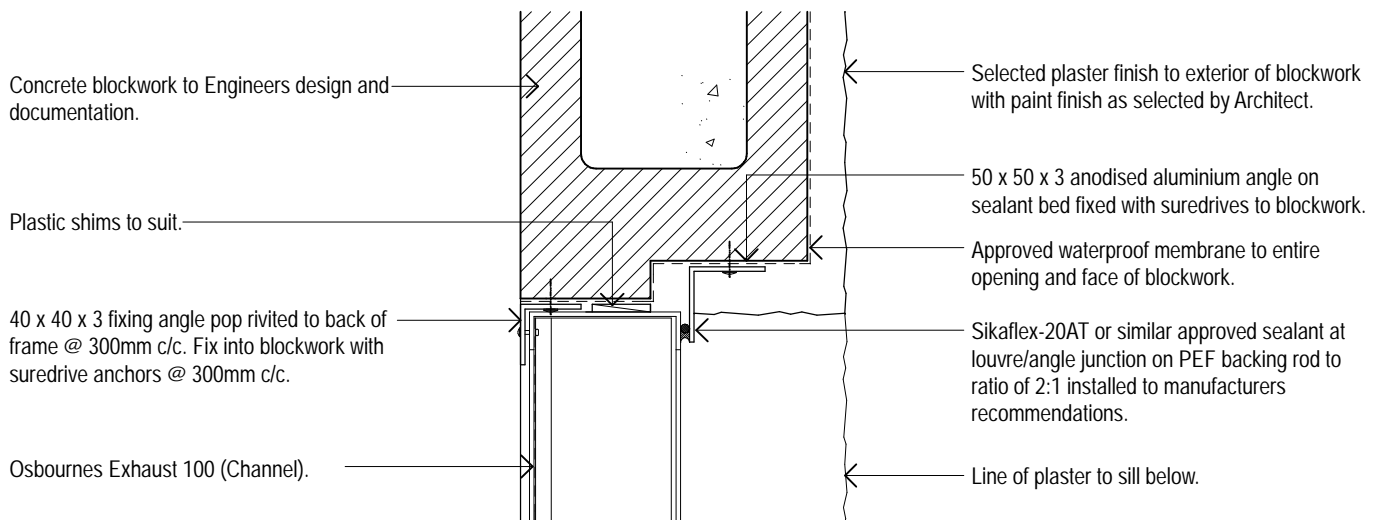
Weather-resistant vertical louvre

Scale 1:2



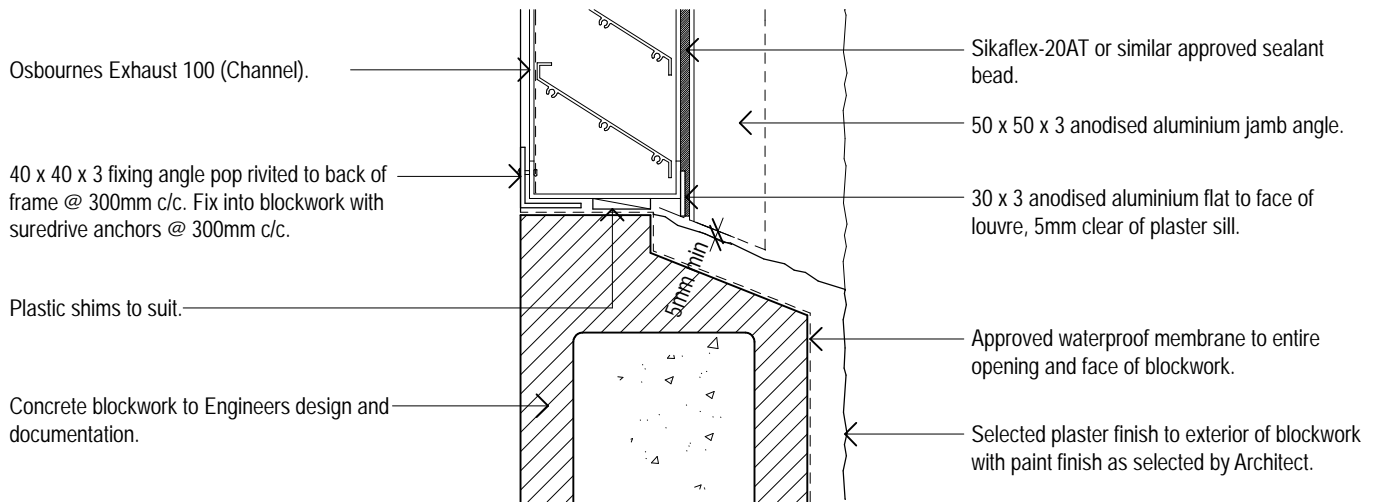
Model Exhaust 100 Louvre (Channel Frame) Typical Blockwall/Louvre Head Detail 01

Osbornes Ltd
Scale 1:5



Model Exhaust 100 Louvre (Channel Frame) Typical Blockwall/Louvre Jamb Detail 02

Osbornes Ltd
Scale 1:5



Model Exhaust 100 Louvre (Channel Frame) Typical Blockwall/Louvre Sill Detail 03 Osbournes Ltd Scale 1:5

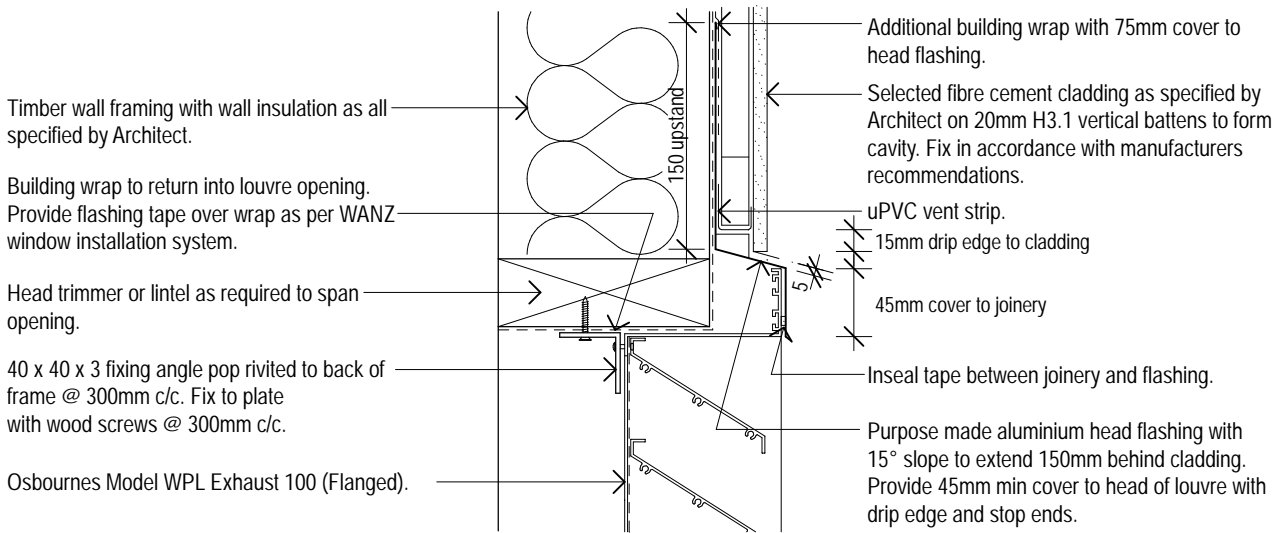
General Notes:

Flashing materials must be selected based on environmental exposure, refer to NZS 3604:1999.

Refer to the manufacturer or supplier for technical information of all materials.

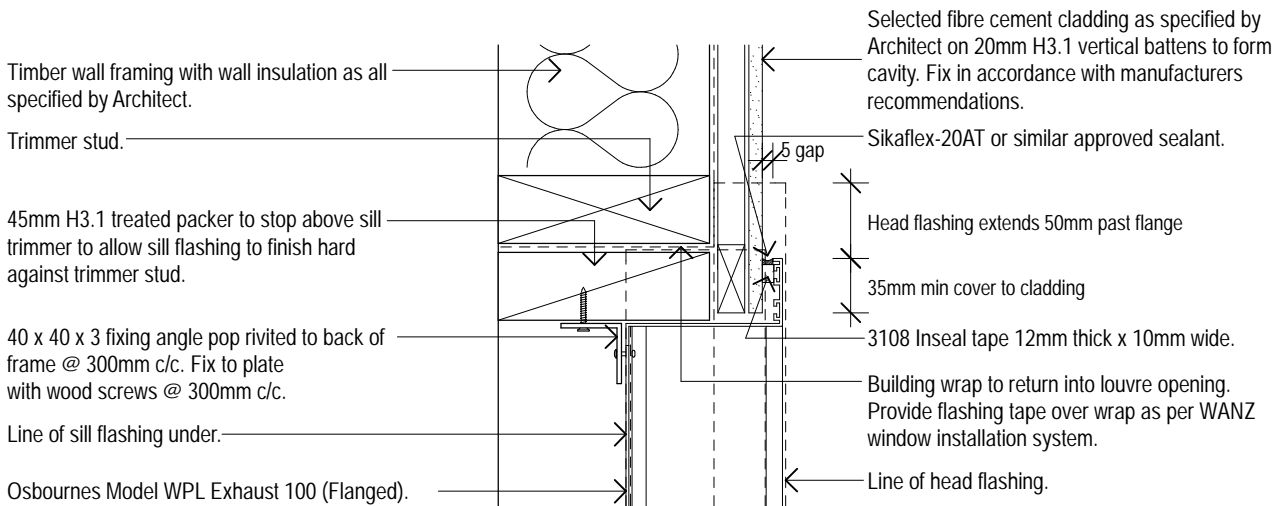
This is an untested alternative solution to NZBC E2/AS1.

This information is intended to be informative and used as a guideline only. Due to the many variables affecting different projects Osbournes Ltd can not replace the judgment or advice of an Architect, Engineer or any other relevant technical expert and such experts must be consulted to determine the suitability or otherwise of the details or the necessity for further design/detailing.



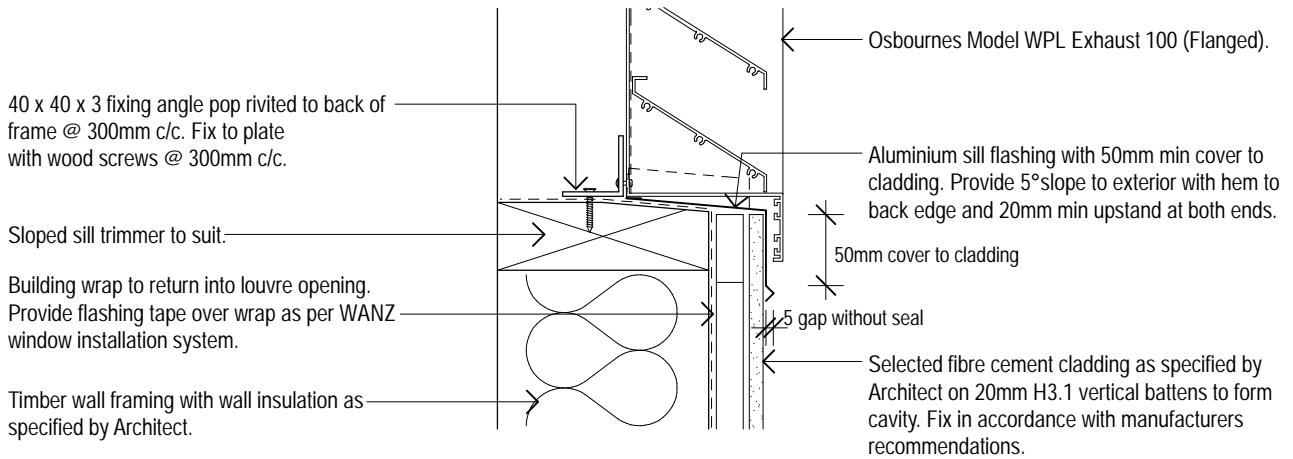
Model Exhaust 100 Louvre (Flanged Frame) Typical Fibre Cement/Louvre Head Detail 01

Osbornes Ltd
Scale 1:5



Model Exhaust 100 Louvre (Flanged Frame) Typical Fibre Cement/Louvre Jamb Detail 02

Osbornes Ltd
Scale 1:5



Model Exhaust 100 Louvre (Flanged Frame) Typical Fibre Cement/Louvre Sill Detail 03

Osbornes Ltd
Scale 1:5

General Notes:

Flashing materials must be selected based on environmental exposure, refer to NZS 3604:1999.

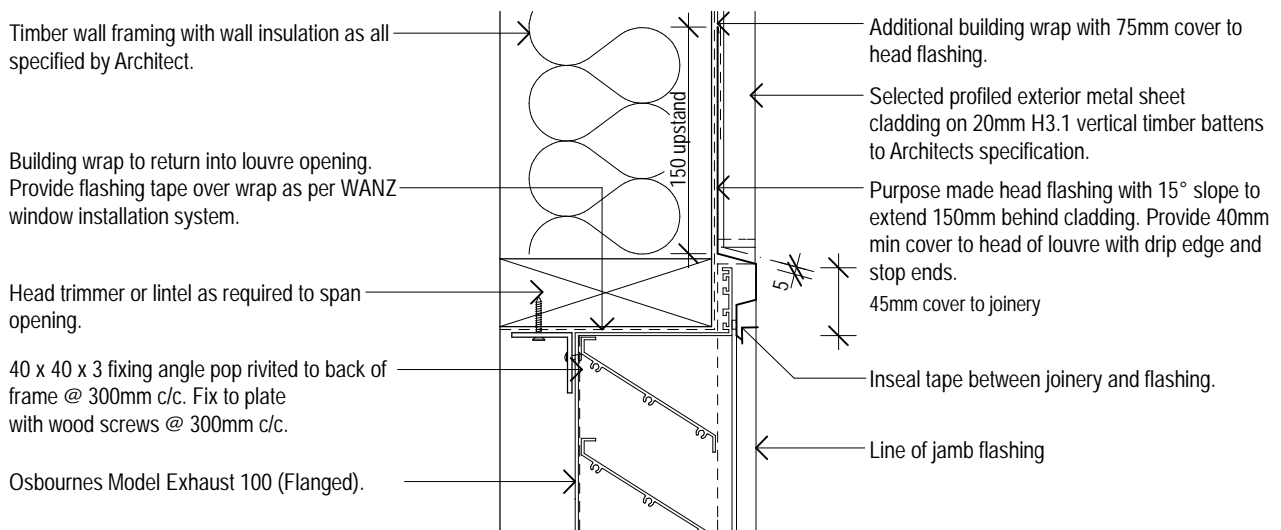
Building wrap must comply with acceptable solution E2/AS1 & NZS 3604:1999.

Flashing tape must have proven compatibility with the selected building wrap & other materials with which it comes into contact.

Refer to the manufacturer or supplier for technical information of all materials.

This is an untested alternative solution to NZBC E2/AS1.

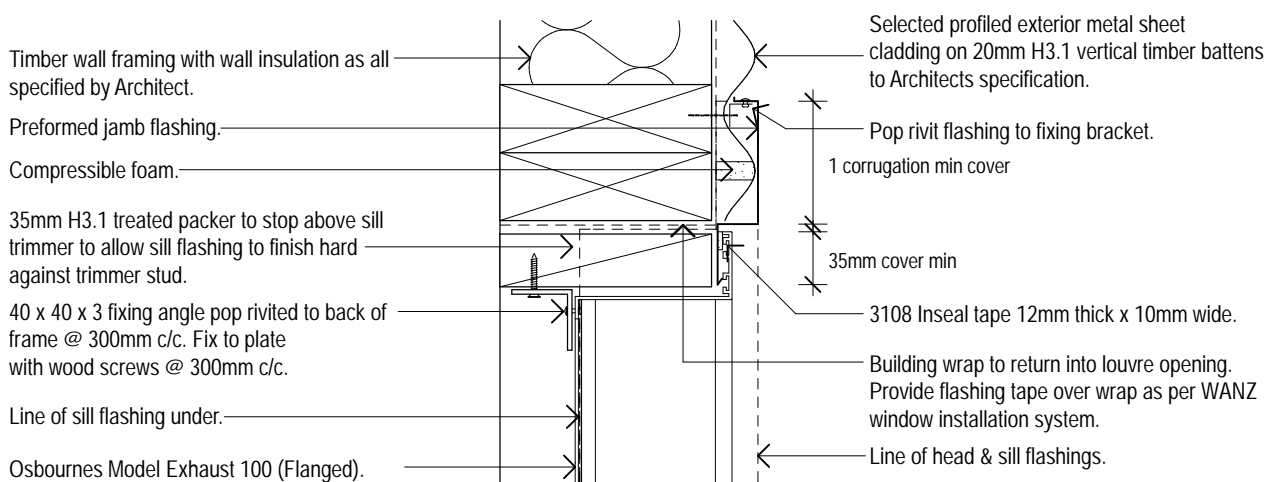
This information is intended to be informative and used as a guideline only. Due to the many variables affecting different projects Osbornes Ltd can not replace the judgment or advice of an Architect, Engineer or any other relevant technical expert and such experts must be consulted to determine the suitability or otherwise of the details or the necessity for further design/detailing.



Model Exhaust 100 Louvre (Flanged Frame) Typical Vertical Corrugate/Louvre Head Detail 01

Osbornes Ltd

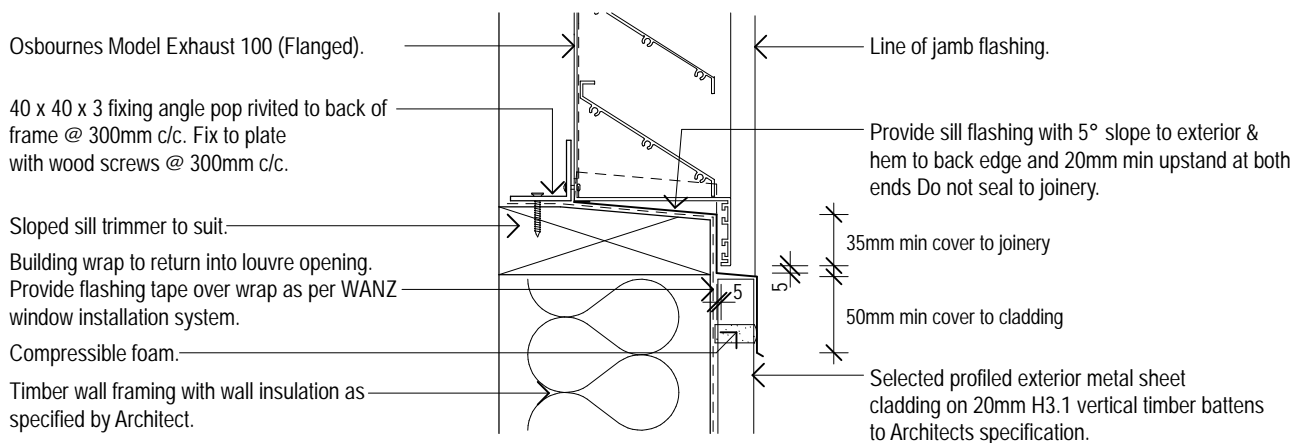
Scale 1:5



Model Exhaust 100 Louvre (Flanged Frame) Typical Vertical Corrugate/Louvre Jamb Detail 02

Osbornes Ltd

Scale 1:5



Model Exhaust 100 Louvre (Flanged Frame)
Typical Vertical Corrugate/Louvre Sill Detail 03
Osbournes Ltd
 Scale 1:5

General Notes:

Flashing materials must be selected based on environmental exposure, refer to NZS 3604:1999.

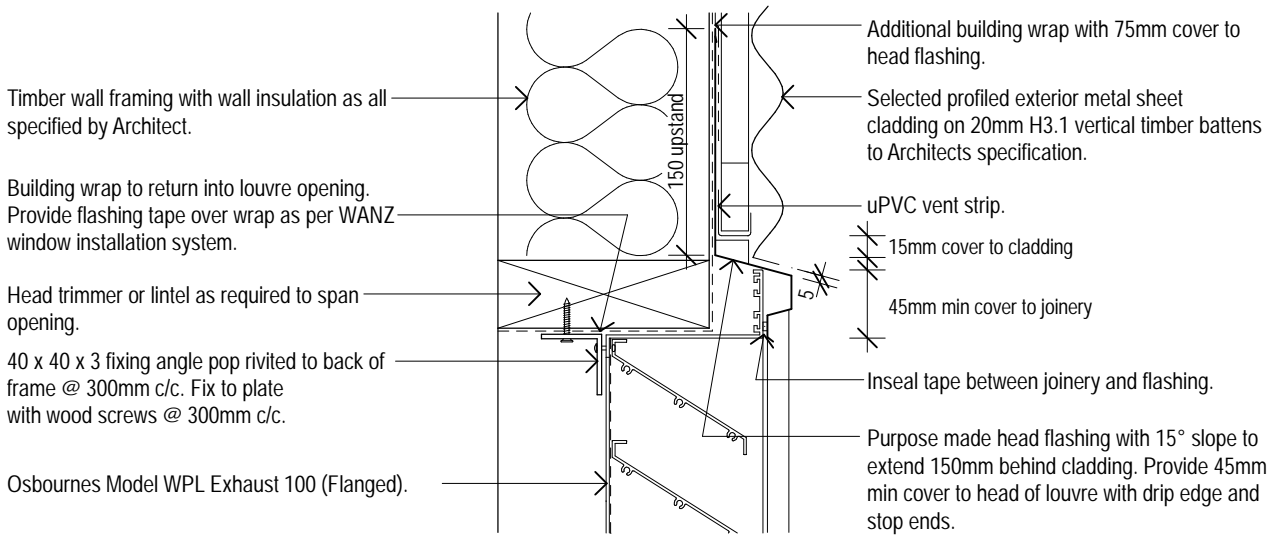
Building wrap must comply with acceptable solution E2/AS1 & NZS 3604:1999.

Flashing tape must have proven compatibility with the selected building wrap & other materials with which it comes into contact.

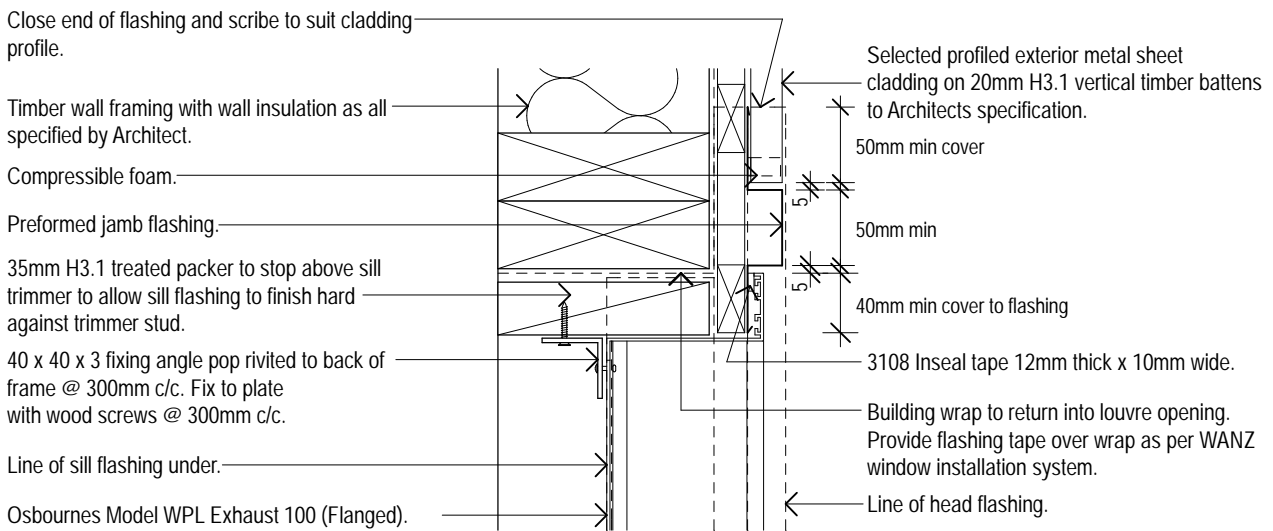
Refer to the manufacturer or supplier for technical information of all materials.

This is an untested alternative solution to NZBC E2/AS1.

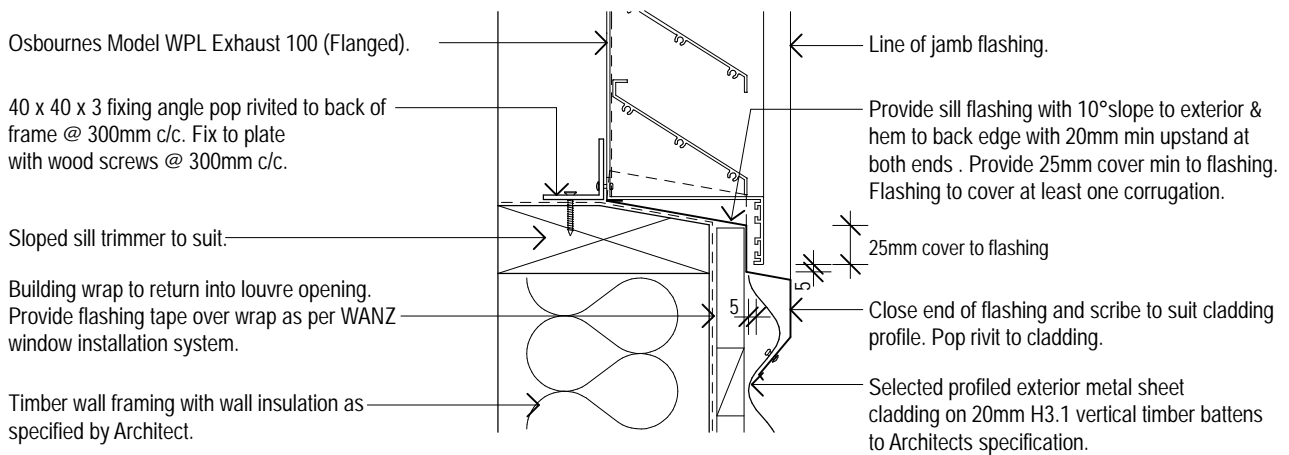
This information is intended to be informative and used as a guideline only. Due to the many variables affecting different projects Osbournes Ltd can not replace the judgment or advice of an Architect, Engineer or any other relevant technical expert and such experts must be consulted to determine the suitability or otherwise of the details or the necessity for further design/detailing.



Model Exhaust 100 Louvre (Flanged Frame)
Typical Horizontal Corrugate/Louvre Head Detail 01
Osbournes Ltd
 Scale 1:5



Model Exhaust 100 Louvre (Flanged Frame)
Typical Horizontal Corrugate/Louvre Jamb Detail 02
Osbournes Ltd
 Scale 1:5



Model Exhaust 100 Louvre (Flanged Frame) Typical Horizontal Corrugate/Louvre Sill Detail 03

Osbournes Ltd
Scale 1:5

General Notes:

Flashing materials must be selected based on environmental exposure, refer to NZS 3604:1999.

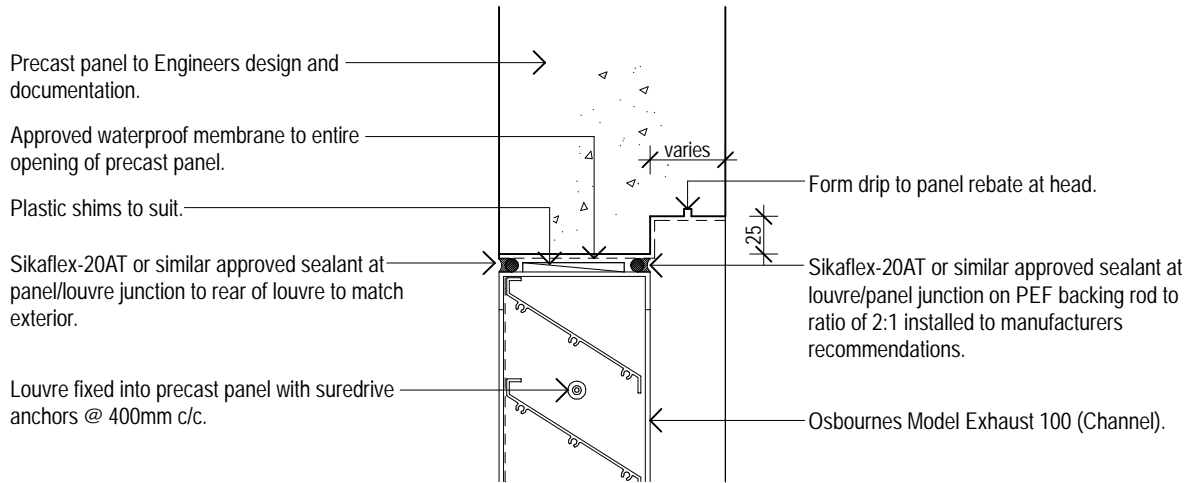
Building wrap must comply with acceptable solution NZBC E2/AS1 & NZS 3604:1999.

Flashing tape must have proven compatibility with the selected building wrap & other materials with which it comes into contact.

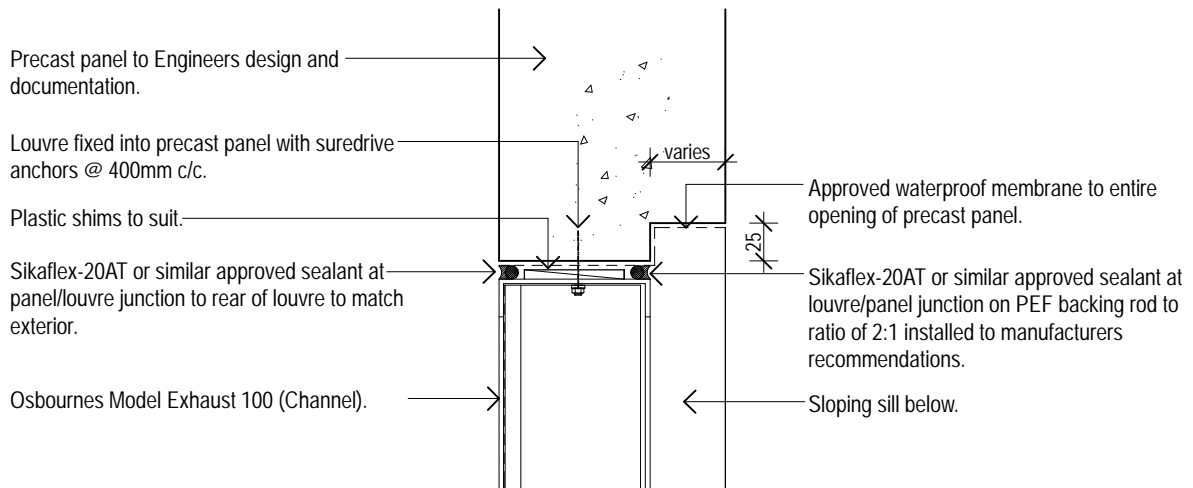
Refer to the manufacturer or supplier for technical information of all materials.

This is an untested alternative solution to NZBC E2/AS1.

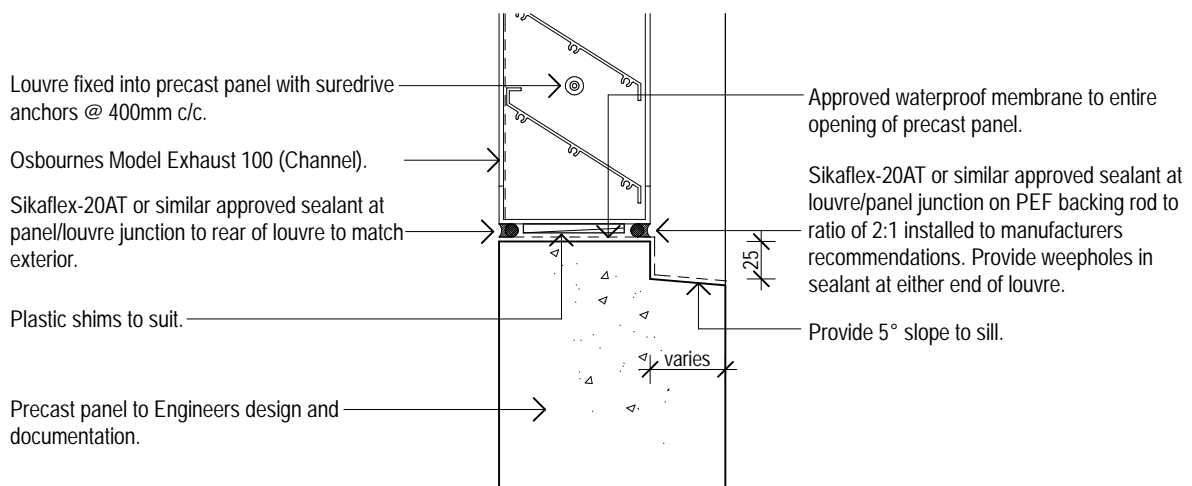
This information is intended to be informative and used as a guideline only. Due to the many variables affecting different projects Osbournes Ltd can not replace the judgment or advice of an Architect, Engineer or any other relevant technical expert and such experts must be consulted to determine the suitability or otherwise of the details or the necessity for further design/detailing.



Model Exhaust 100 Louvre (Channel Frame)
Typical Precast/Louvre Head Detail 01
Osbornes Ltd
Scale 1:5



Model Exhaust 100 Louvre (Channel Frame)
Typical Precast/Louvre Jamb Detail 02
Osbornes Ltd
Scale 1:5



Model Exhaust 100 Louvre (Channel Frame) Typical Precast/Louvre Sill Detail 03 Osbornes Ltd Scale 1:5

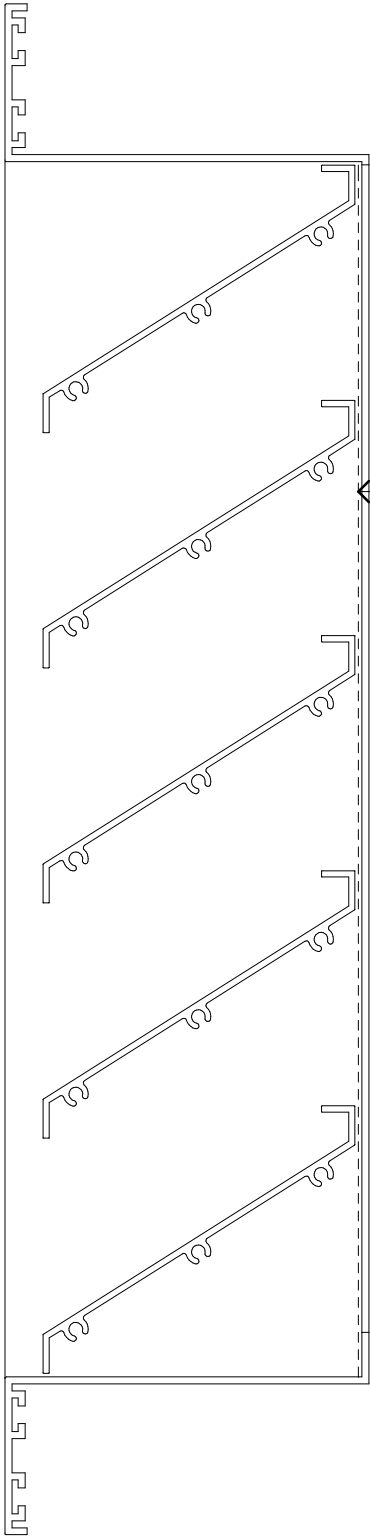
General Notes:

Flashing materials must be selected based on environmental exposure, refer to NZS 3604:1999.

Refer to the manufacturer or supplier for technical information of all materials.

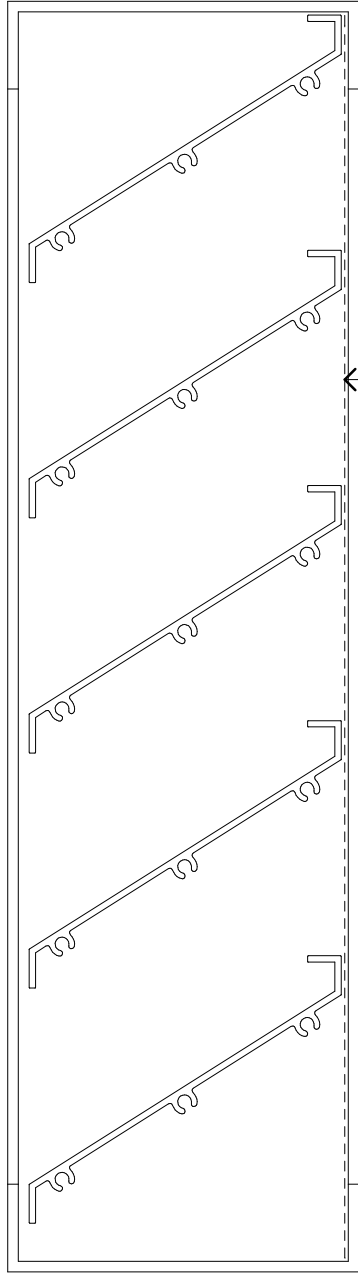
This is an untested alternative solution to NZBC E2/AS1.

This information is intended to be informative and used as a guideline only. Due to the many variables affecting different projects Osbornes Ltd can not replace the judgment or advice of an Architect, Engineer or any other relevant technical expert and such experts must be consulted to determine the suitability or otherwise of the details or the necessity for further design/detailing.



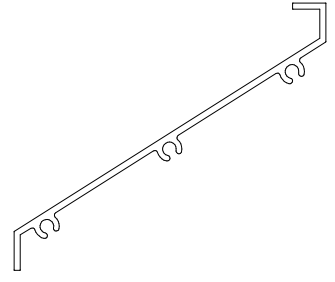
Flanged Frame

← Birdmesh shown dashed optional.



← Birdmesh shown dashed optional.

Channel Frame



E122

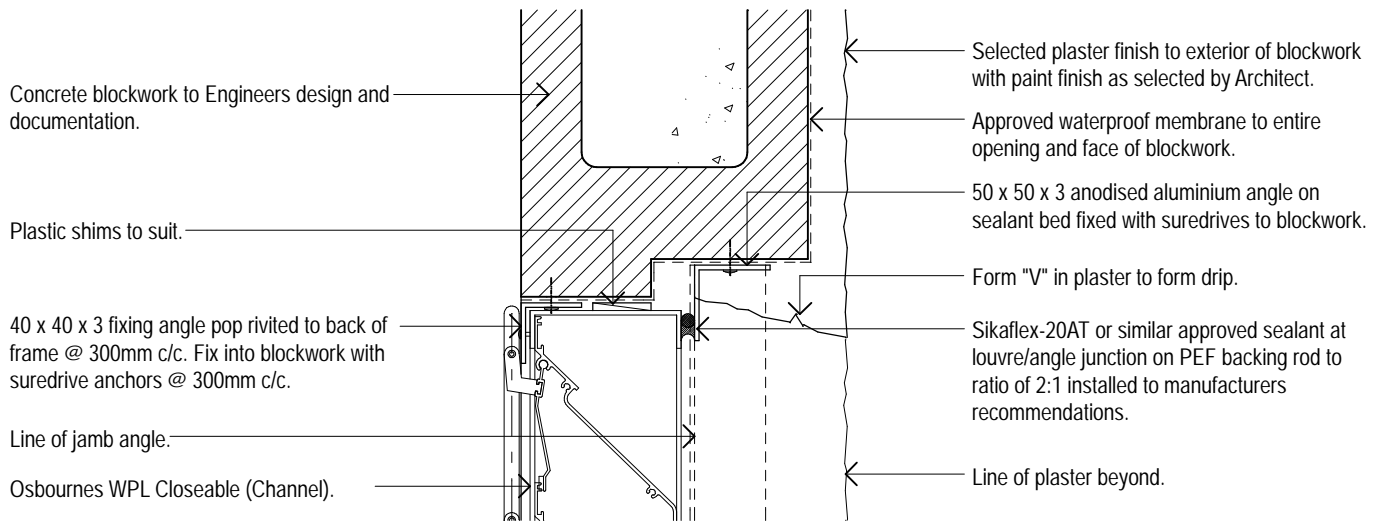


31723

Osbornes Exhaust 100 Louvre

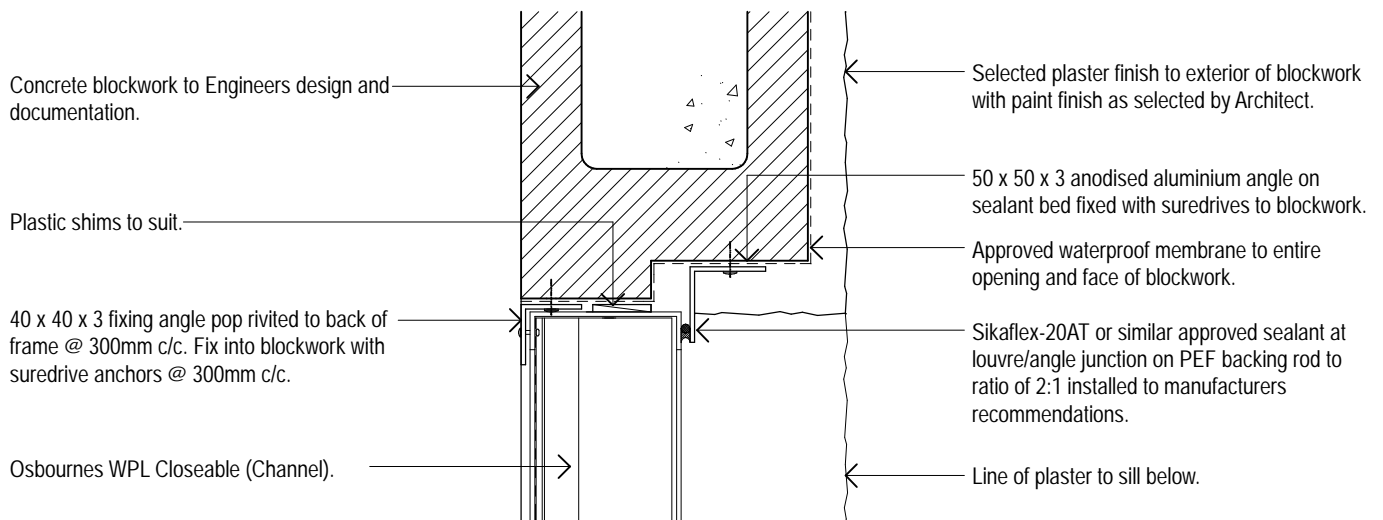
Weather-resistant louvre

Scale 1:2



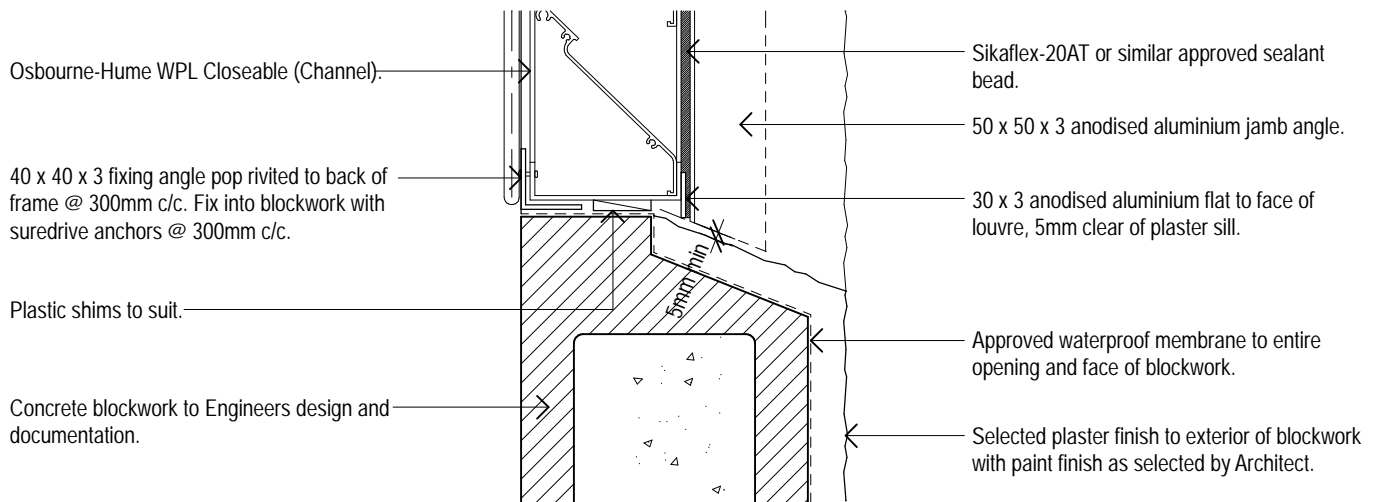
Model WPL Closeable (Channel Frame) Typical Blockwall/Louvre Head Detail 01

Osbornes Ltd
Scale 1:5



Model WPL Closeable (Channel Frame) Typical Blockwall/Louvre Jamb Detail 02

Osbornes Ltd
Scale 1:5



Model WPL Closeable (Channel Frame)
Typical Blockwall/Louvre Sill Detail 03
Osbourne-Hume Grilles & Louvres Ltd
 Scale 1:5

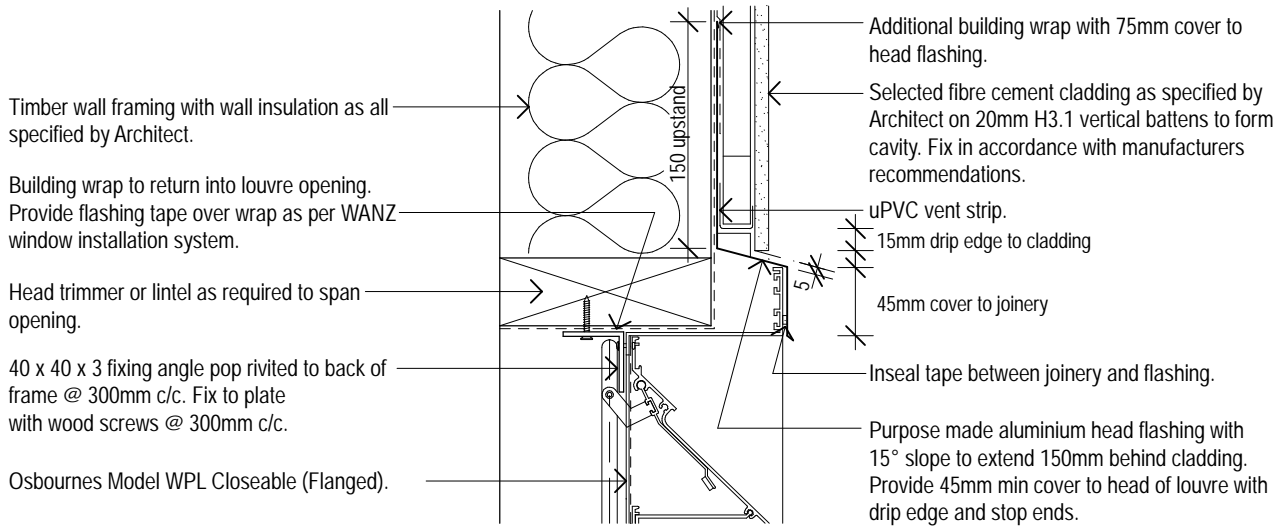
General Notes:

Flashing materials must be selected based on environmental exposure, refer to NZS 3604:1999.

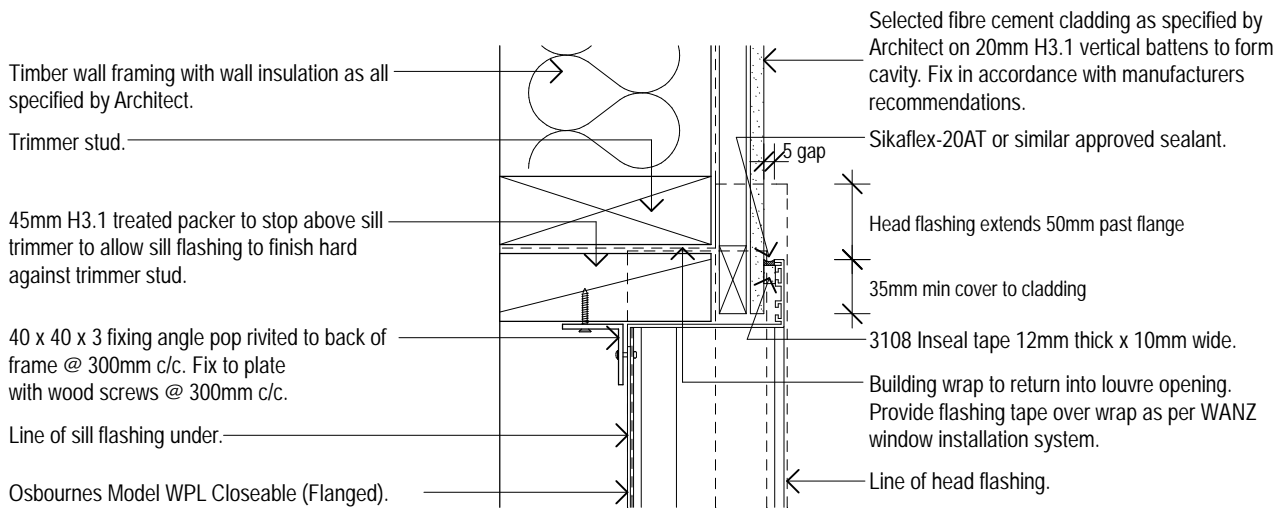
Refer to the manufacturer or supplier for technical information of all materials.

This is an untested alternative solution to NZBC E2/AS1.

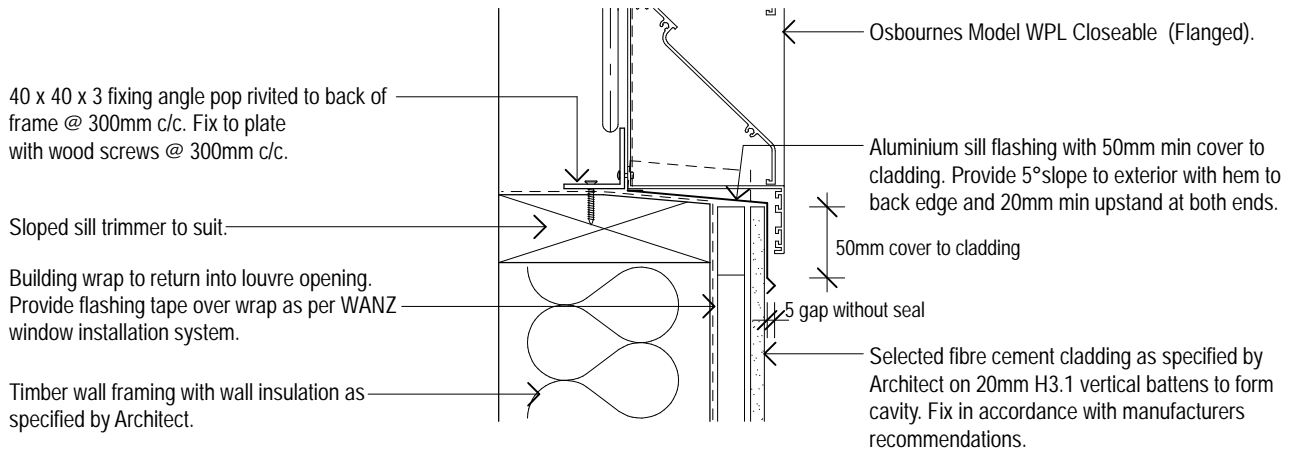
This information is intended to be informative and used as a guideline only. Due to the many variables affecting different projects Osbournes Ltd can not replace the judgment or advice of an Architect, Engineer or any other relevant technical expert and such experts must be consulted to determine the suitability or otherwise of the details or the necessity for further design/detailing.



Model WPL Closeable (Flanged Frame)
Typical Fibre Cement/Louvre Head Detail 01
Osbornes Ltd
 Scale 1:5



Model WPL Closeable (Flanged Frame)
Typical Fibre Cement/Louvre Jamb Detail 02
Osbornes Ltd
 Scale 1:5



Model WPL Closeable (Flanged Frame) Typical Fibre Cement/Louvre Sill Detail 03 Osbournes Ltd Scale 1:5

General Notes:

Flashing materials must be selected based on environmental exposure, refer to NZS 3604:1999.

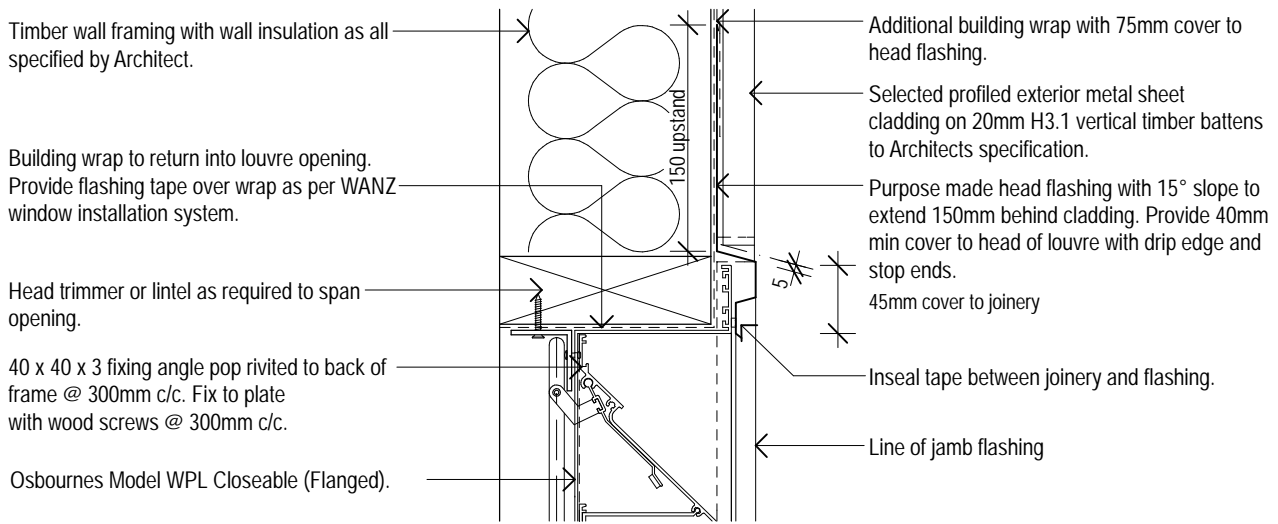
Building wrap must comply with acceptable solution E2/AS1 & NZS 3604:1999.

Flashing tape must have proven compatibility with the selected building wrap & other materials with which it comes into contact.

Refer to the manufacturer or supplier for technical information of all materials.

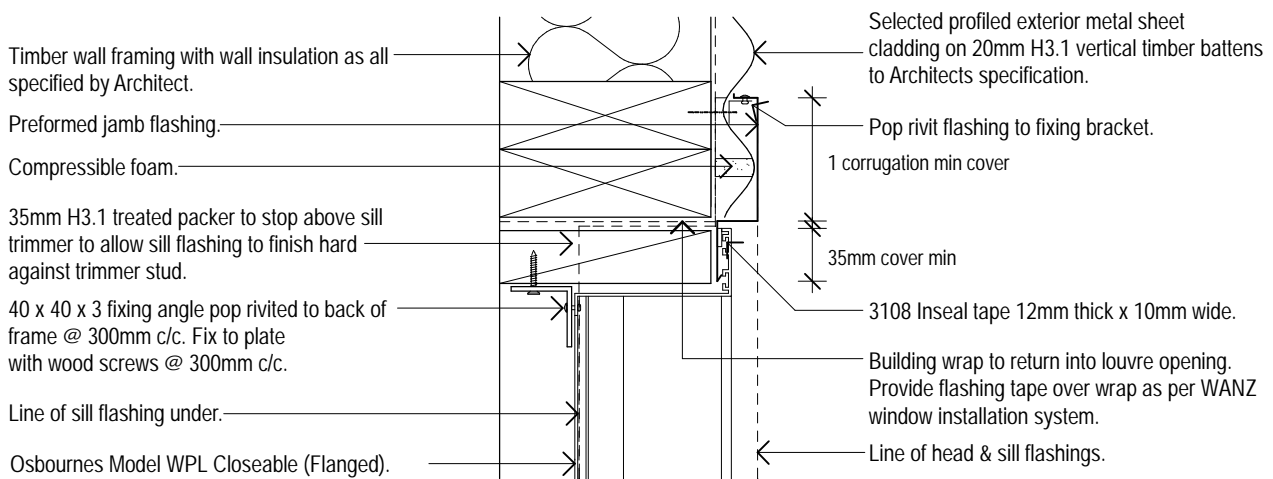
This is an untested alternative solution to NZBC E2/AS1.

This information is intended to be informative and used as a guideline only. Due to the many variables affecting different projects Osbournes Ltd can not replace the judgment or advice of an Architect, Engineer or any other relevant technical expert and such experts must be consulted to determine the suitability or otherwise of the details or the necessity for further design/detailing.



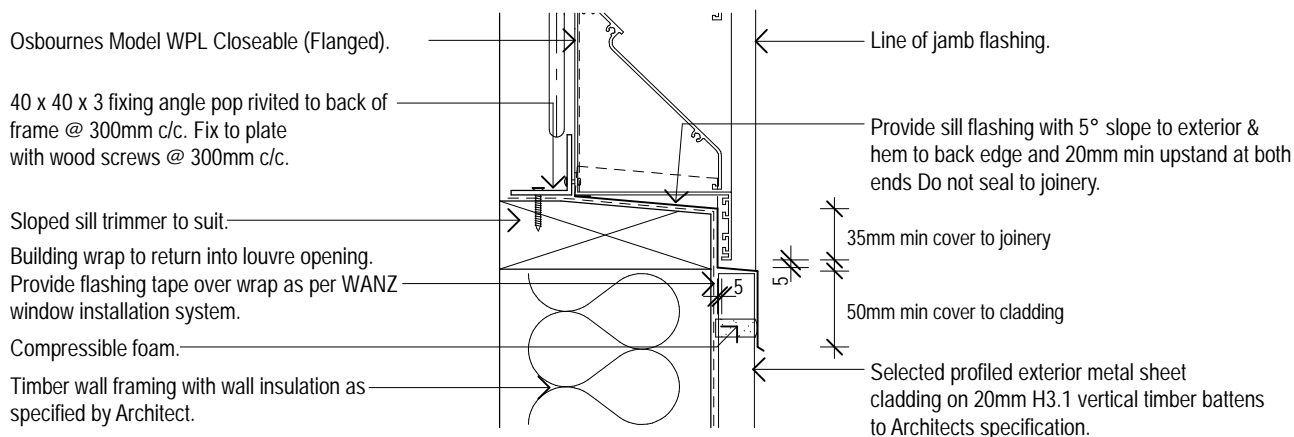
Model WPL Closeable (Flanged Frame) Typical Vertical Corrugate/Louvre Head Detail 01

Osbournes Ltd
Scale 1:5



Model WPL Closeable (Flanged Frame) Typical Vertical Corrugate/Louvre Jamb Detail 02

Osbournes Ltd
Scale 1:5



Model WPL Closeable (Flanged Frame) Typical Vertical Corrugate/Louvre Sill Detail 03

Osbournes Ltd
Scale 1:5

General Notes:

Flashing materials must be selected based on environmental exposure, refer to NZS 3604:1999.

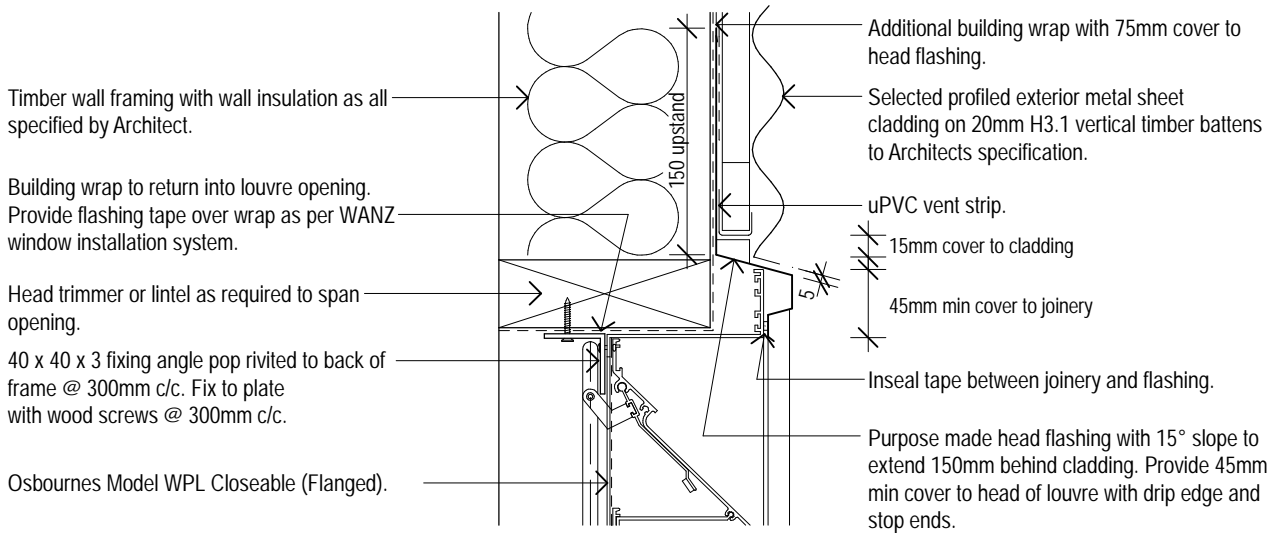
Building wrap must comply with acceptable solution E2/AS1 & NZS 3604:1999.

Flashing tape must have proven compatibility with the selected building wrap & other materials with which it comes into contact.

Refer to the manufacturer or supplier for technical information of all materials.

This is an untested alternative solution to NZBC E2/AS1.

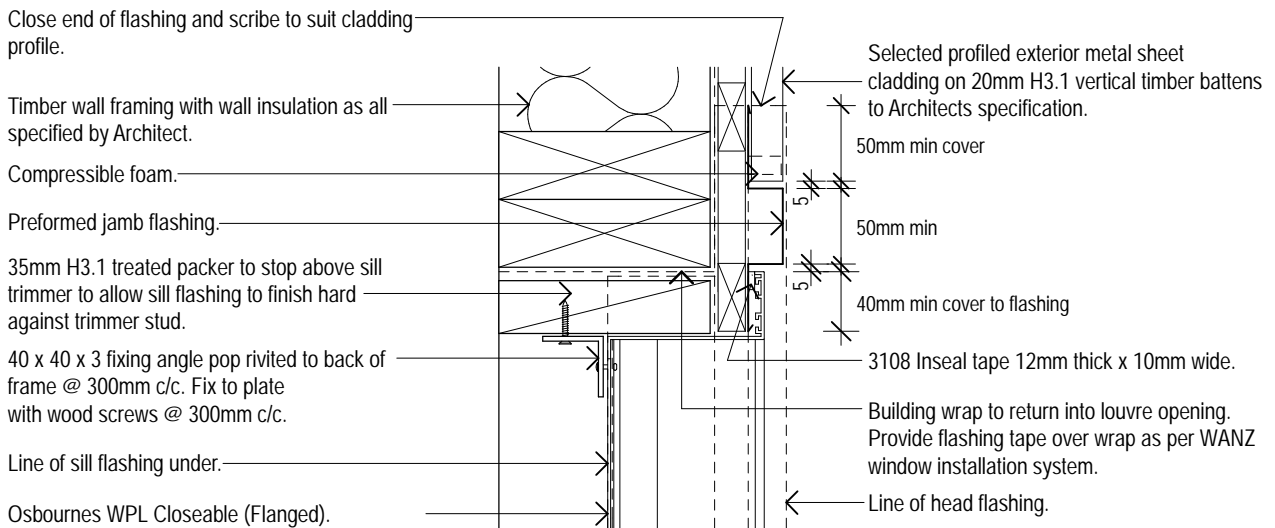
This information is intended to be informative and used as a guideline only. Due to the many variables affecting different projects Osbournes Ltd can not replace the judgment or advice of an Architect, Engineer or any other relevant technical expert and such experts must be consulted to determine the suitability or otherwise of the details or the necessity for further design/detailing.



Model WPL Closeable (Flanged Frame) Typical Horizontal Corrugate/Louvre Head Detail 01

Osbournes Ltd

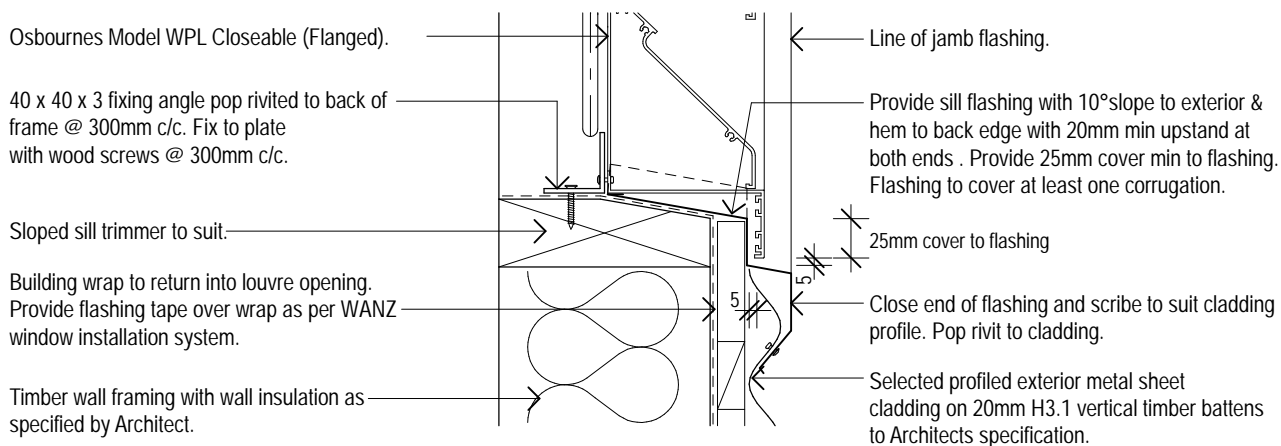
Scale 1:5



Model WPL Closeable (Flanged Frame) Typical Horizontal Corrugate/Louvre Jamb Detail 02

Osbournes Ltd

Scale 1:5



Model WPL Closeable (Flanged Frame) Typical Horizontal Corrugate/Louvre Sill Detail 03 Osbournes Ltd Scale 1:5

General Notes:

Flashing materials must be selected based on environmental exposure, refer to NZS 3604:1999.

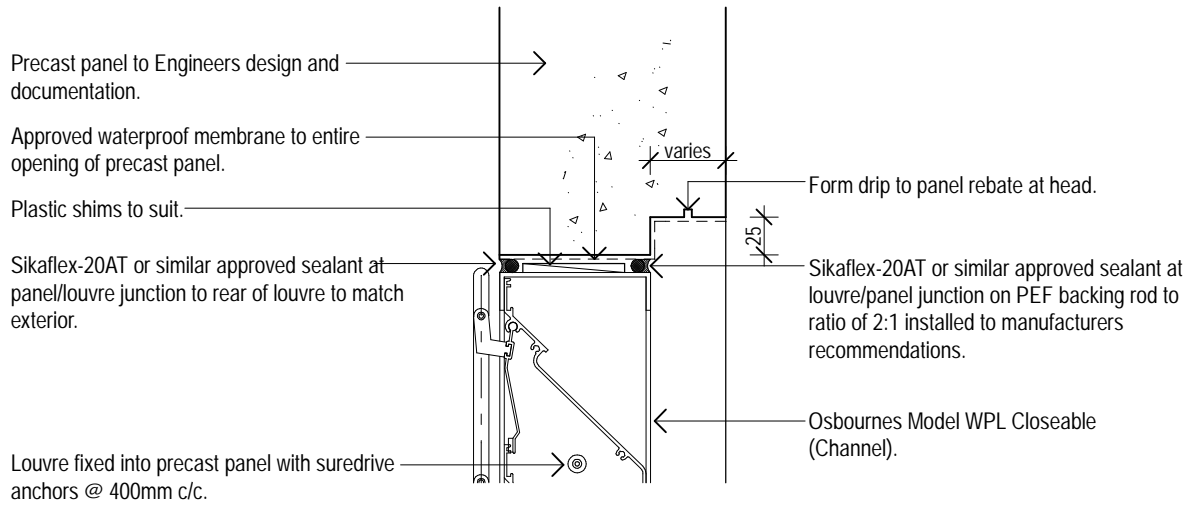
Building wrap must comply with acceptable solution NZBC E2/AS1 & NZS 3604:1999.

Flashing tape must have proven compatibility with the selected building wrap & other materials with which it comes into contact.

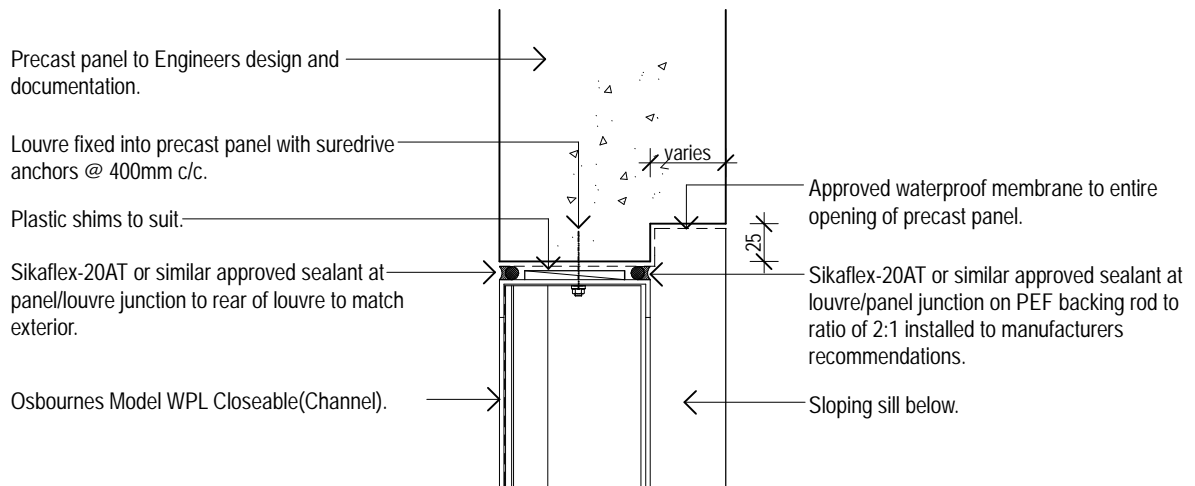
Refer to the manufacturer or supplier for technical information of all materials.

This is an untested alternative solution to NZBC E2/AS1.

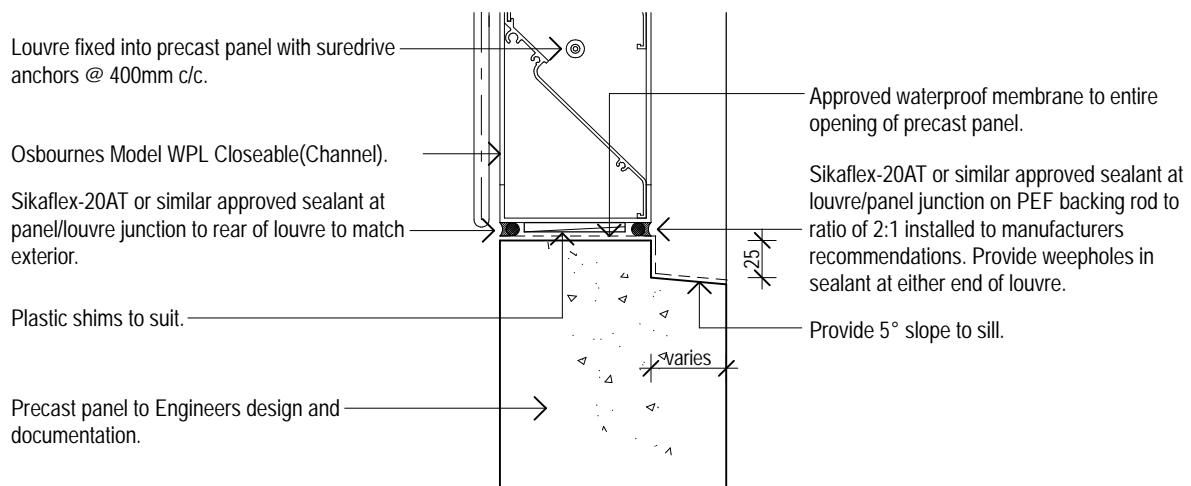
This information is intended to be informative and used as a guideline only. Due to the many variables affecting different projects Osbournes Ltd can not replace the judgment or advice of an Architect, Engineer or any other relevant technical expert and such experts must be consulted to determine the suitability or otherwise of the details or the necessity for further design/detailing.



Model WPL Closeable (Channel Frame)
Typical Precast/Louvre Head Detail 01
 Osbournes Ltd
 Scale 1:5



Model WPL Closeable (Channel Frame)
Typical Precast/Louvre Jamb Detail 02
 Osbournes Ltd
 Scale 1:5



Model WPL Closeable (Channel Frame) Typical Precast/Louvre Sill Detail 03 Osbournes Ltd Scale 1:5

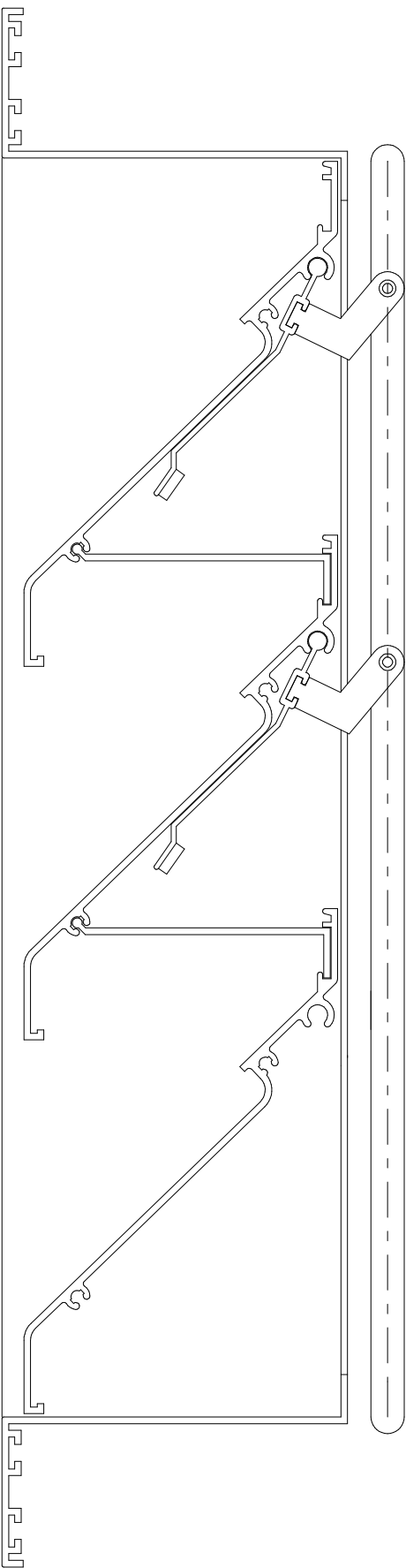
General Notes:

Flashing materials must be selected based on environmental exposure, refer to NZS 3604:1999.

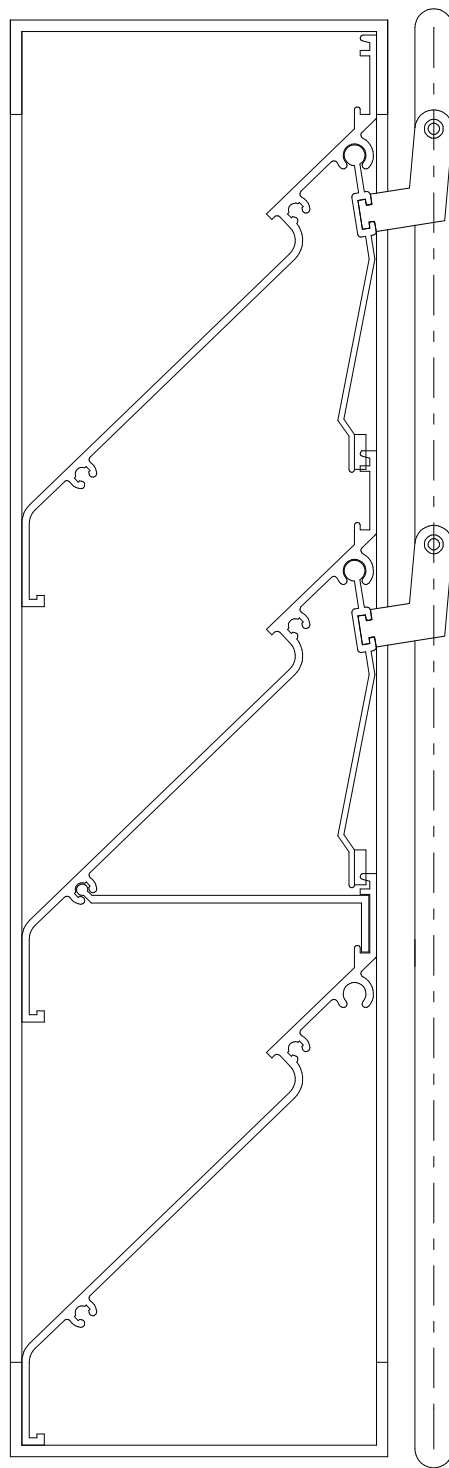
Refer to the manufacturer or supplier for technical information of all materials.

This is an untested alternative solution to NZBC E2/AS1.

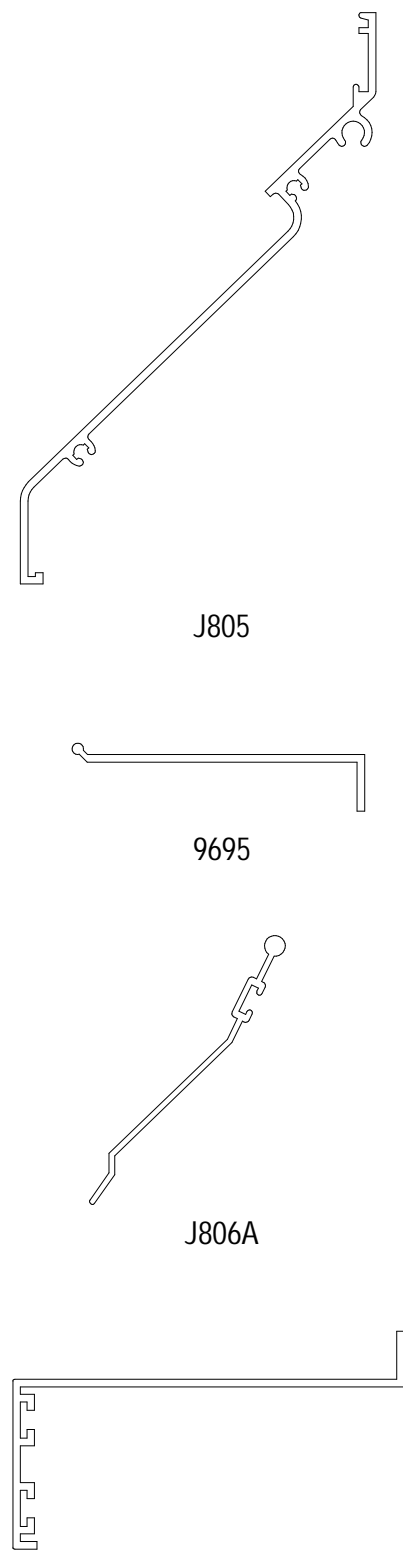
This information is intended to be informative and used as a guideline only. Due to the many variables affecting different projects Osbournes Ltd can not replace the judgment or advice of an Architect, Engineer or any other relevant technical expert and such experts must be consulted to determine the suitability or otherwise of the details or the necessity for further design/detailing.



Flanged Frame
Open position



Channel Frame
Closed position



J805

9695

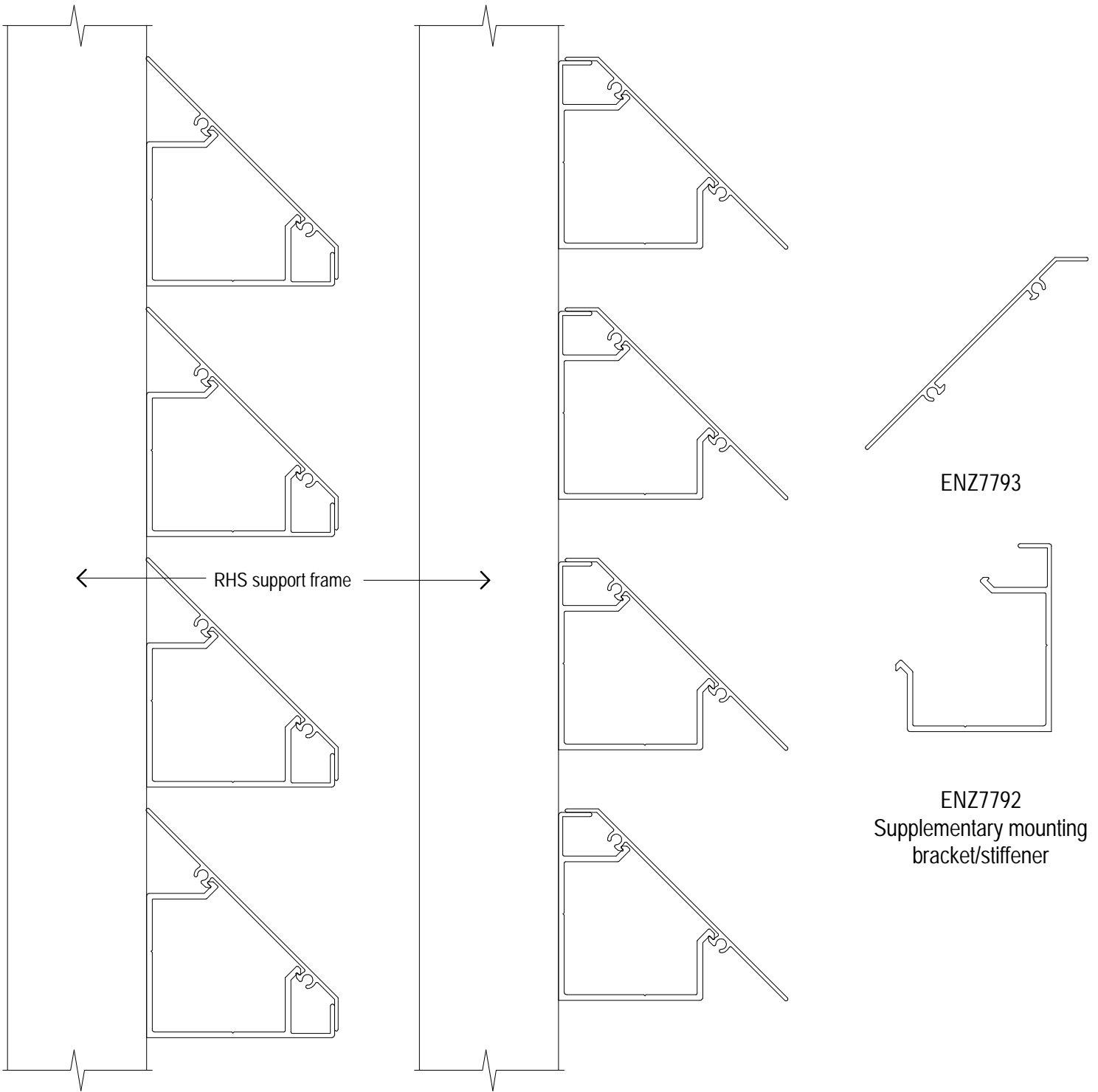
J806A

31723

Osbournes Model WPL 100 Closeable

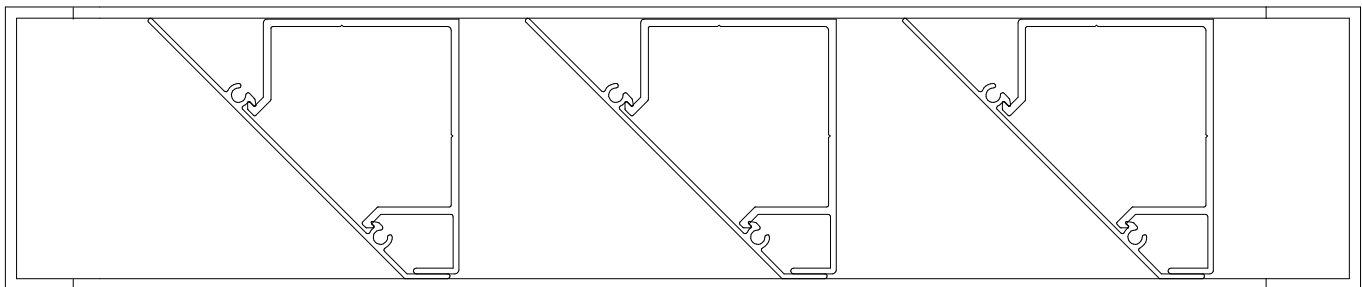
Weather-resistant fully closable louvre

Scale 1:2



Vertical option 1

Vertical option 2

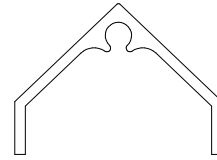
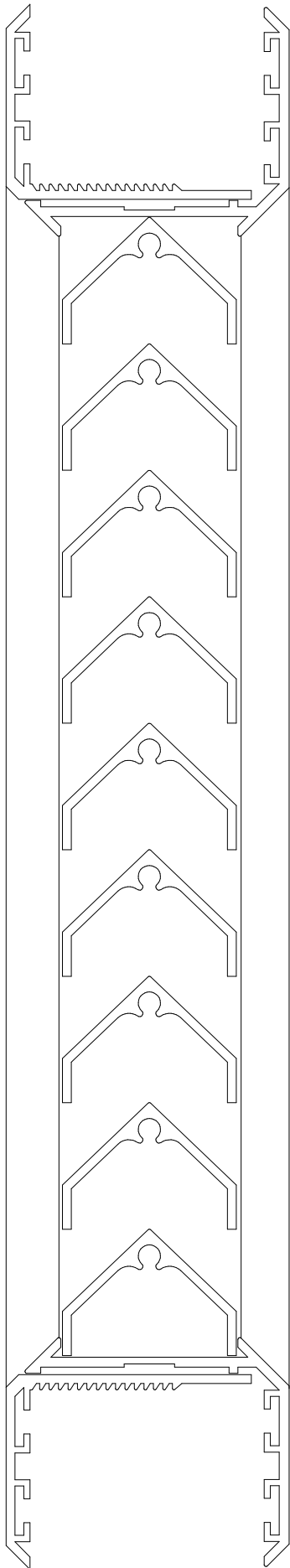


Channel Frame Horizontal Option

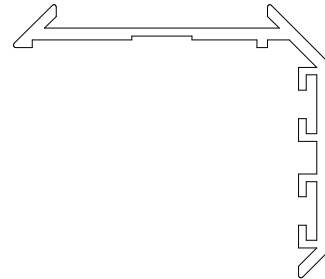
Osbornes Sun Louvre

Allows the utilisation of natural light whilst screening and reducing heat transmission.

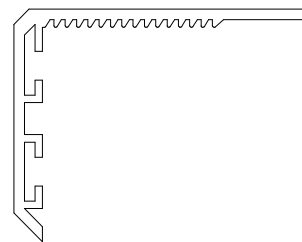
Scale 1:2



ENZ4431



ENZ4429

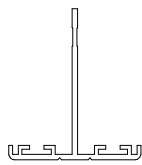


ENZ7076

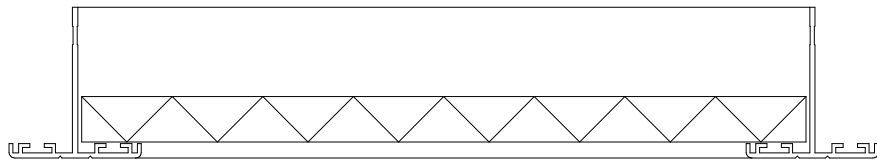
Osbornes Model NV1

No vision door & partition grille

Scale 1:2



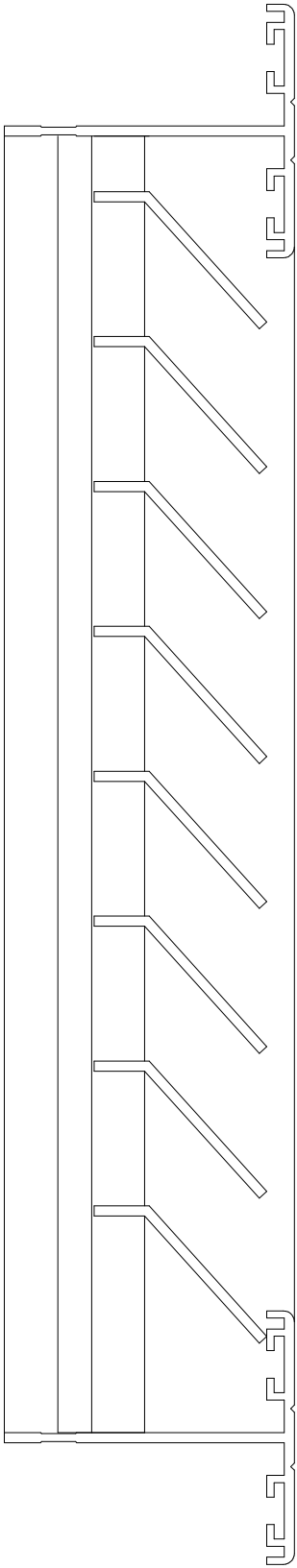
ENZ5783



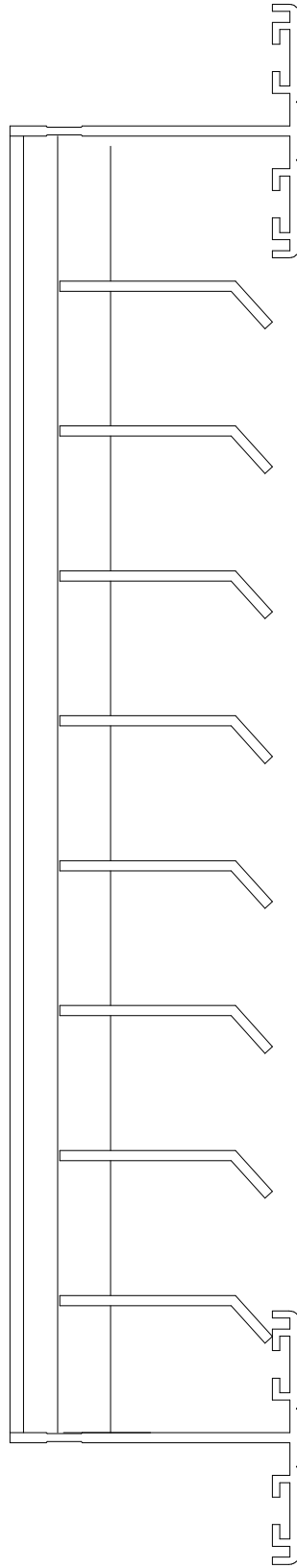
Osbornes Ceiling Hatch

Ready made ceiling inspection hatch

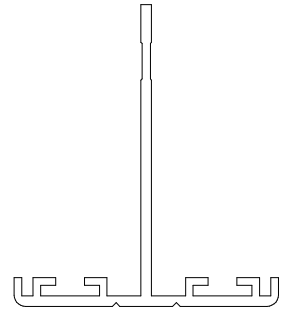
Scale 1:2



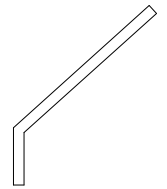
Model OL1
Outside louvre



Model OL1R Reversible
blade grille 73% free area



ENZ5783



ENZ1430

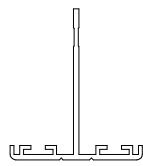


NZ3841

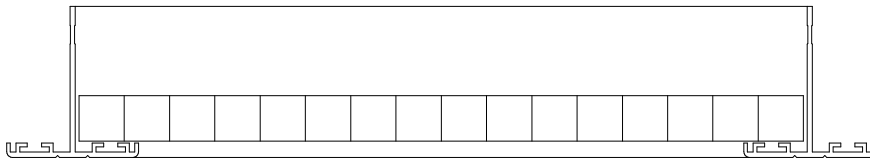
Osbornes Model OL1 & OL1R

The Brodie Grille. Ideal for incremental apertures. Sturdily built to hold its shape.

Scale 1:1



ENZ5783



Osbournes Model EG1

Osbournes eggcrate vent

Scale 1:2